

QUADRANT SHOWER POD

Please read these instructions carefully and keep for future reference. Incorrect fitting will invalidate the guarantee.

GENERAL SAFETY & PRODUCT CARE

Take care when handling the parts of the shower pod. A sharp impact could damage the surface.

Do not over tighten the screws.

The shower pod parts may have sharp edges, we recommend that gloves are worn when handling.

As the parts are large, we recommend that two people are needed to carry out parts of the installation.

The pipe work for the shower valve (but not the shower valve itself) and waste outlet must be fitted prior to installation of this pod.

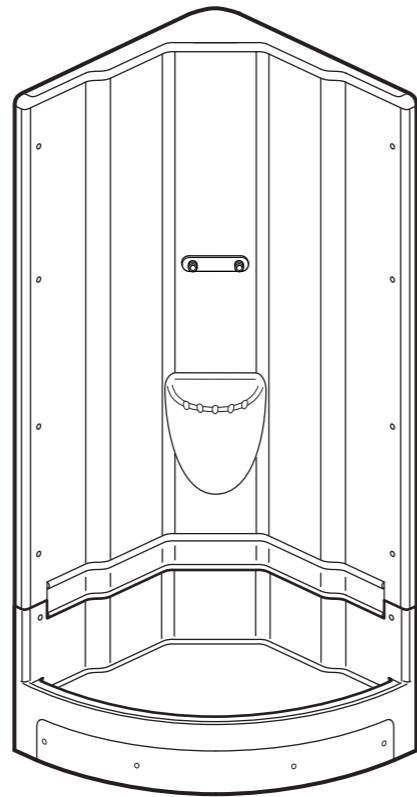
Make sure there are no hidden pipes or cables in the walls where you intend to drill.

Wear safety goggles, appropriate shoes and clothing. Tie long hair back out of the way.

BEFORE INSTALLATION

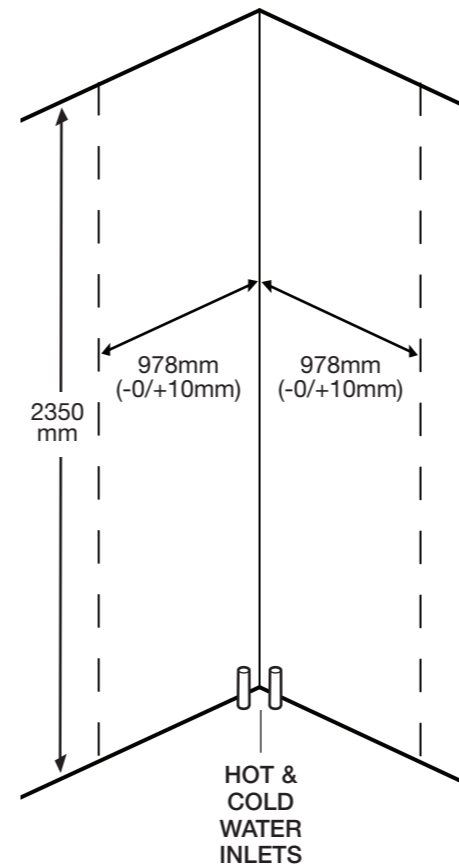
Test the base section in its intended position. Check the trueness of the walls and choose the most suitable position, taking into account the position of the wall battens. This will minimise the need for adjustments due to the walls being out of true.

Putty, mastics or acrylic sealant will damage the surface of the shower pod. Only use silicone sealant.



CORNER DIMENSIONS

THE WALLS CAN HAVE A **MAXIMUM DEVIATION** FROM VERTICAL OF 10MM.



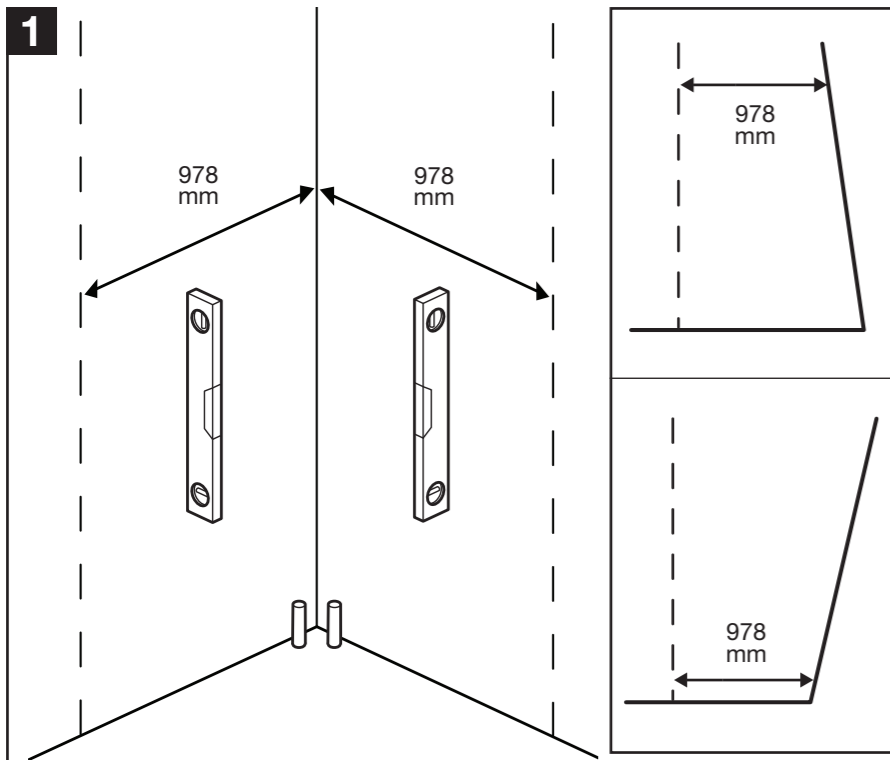
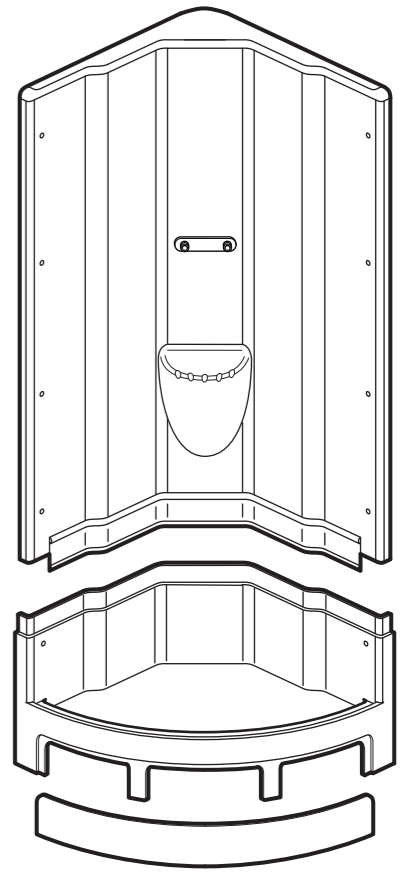
Check contents of the pack before installation. If there is anything missing, contact our Customer Care Number for assistance.

CUSTOMER CARELINE: 01746 713410

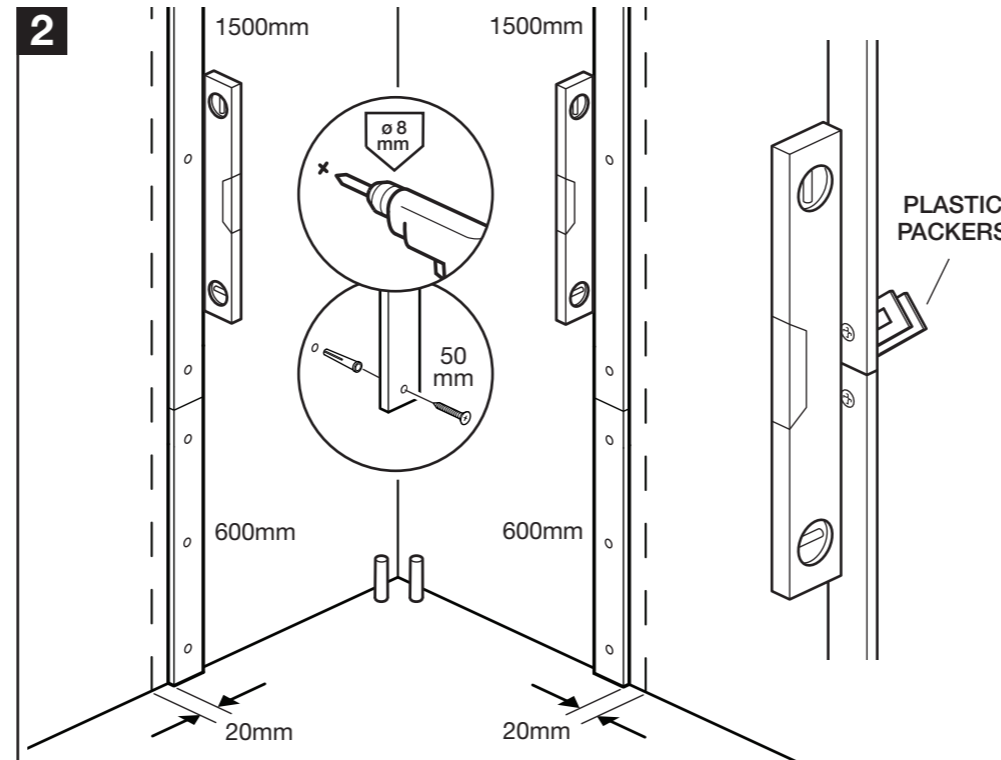
25mm Screws	4	Plastic packers	5
50mm Screws	22	600 mm / 1500 mm Battens	2/2
Wall plugs	12	Shower valve	1
Screw cover & washer	4/4	Speed fit barrier pipe	2

EQUIPMENT NEEDED:

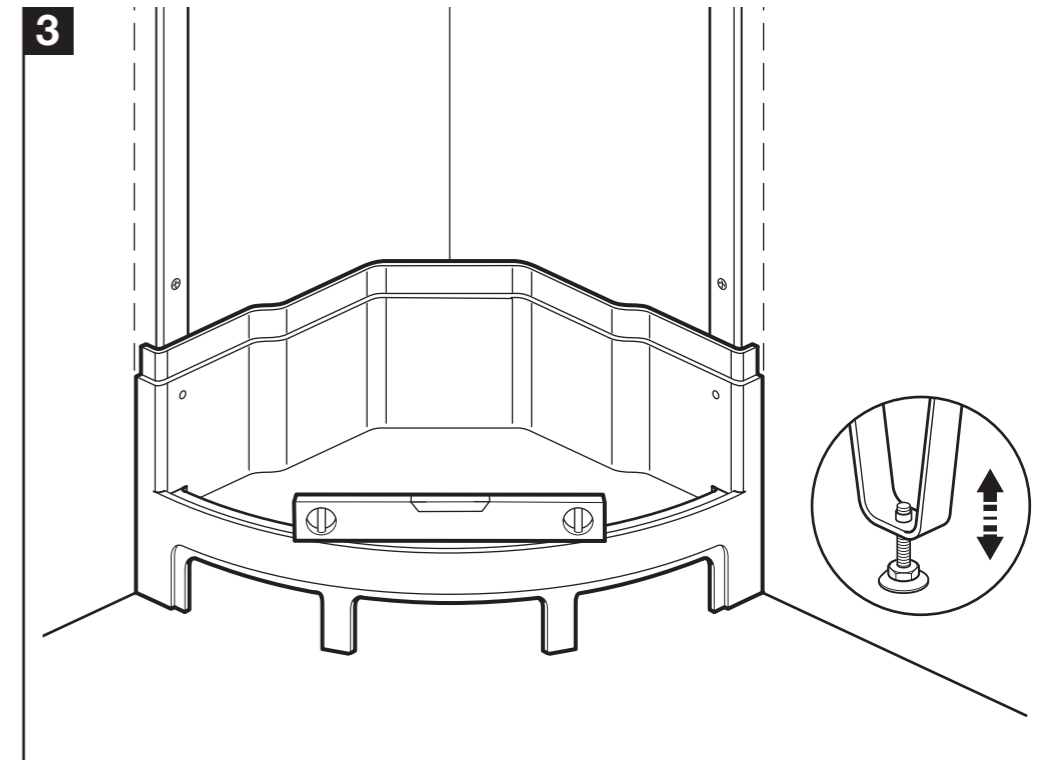
Drill, 8mm Masonry Bit, 3mm General Bit, Crosshead Screwdriver, Spirit Level, Plumb Line, 17mm Spanner, Pencil, Tape Measure, Masking Tape, Silicone Sealant.



Using a spirit level, check if the walls are vertical. Measure out 978mm from the corner and using a plumb line mark a line vertically down on **BOTH** walls.
IMPORTANT: If the walls are not vertical, the measurement should be taken at the top or bottom as shown (at the narrowest point).



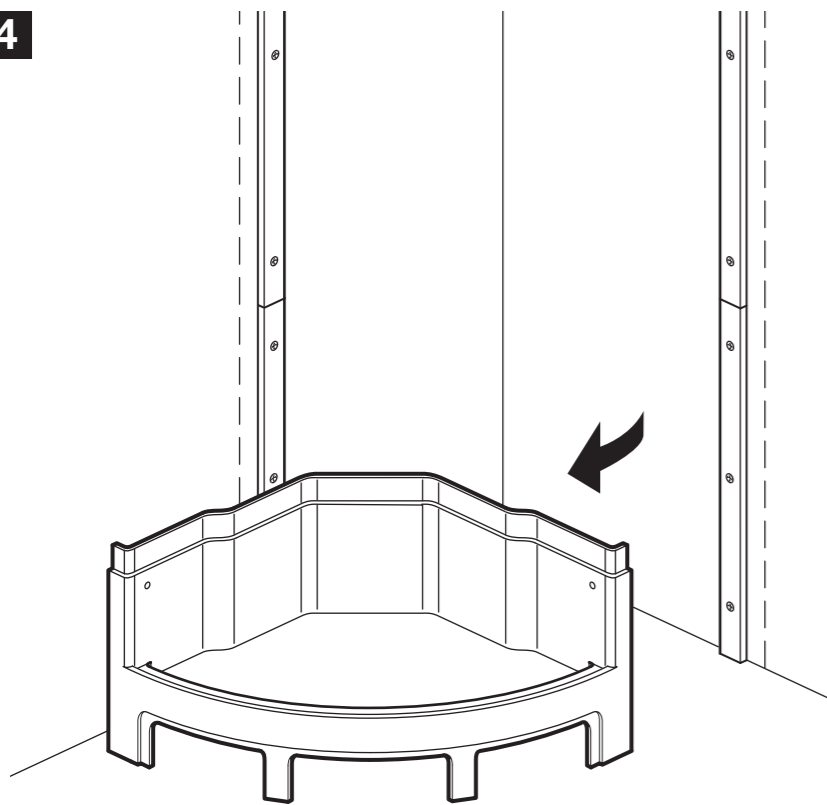
Using the short (600mm) and long (1500mm) battens, mark their positions on the side walls 20mm in from the marked lines. Drill through the battens in three positions into the wall using a 5mm drill bit. Remove the battens. Using a 8mm masonry drill bit open out holes in the wall. Insert wall plugs and fix the battens to the wall using 50mm screws. If the walls are not vertical use the plastic packers provided.



IMPORTANT

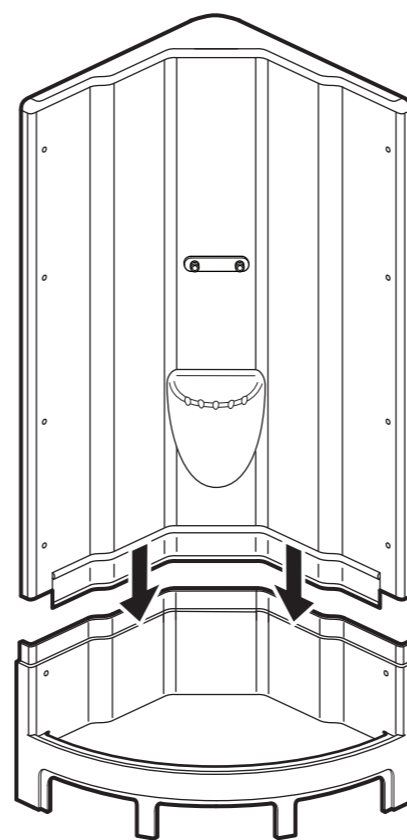
Slide the base unit into the corner so that the front edges are in line with the lines marked on the walls. The base unit must be level - adjust legs where necessary.
Using a 17mm spanner tighten the nuts UP onto the leg brackets.

4



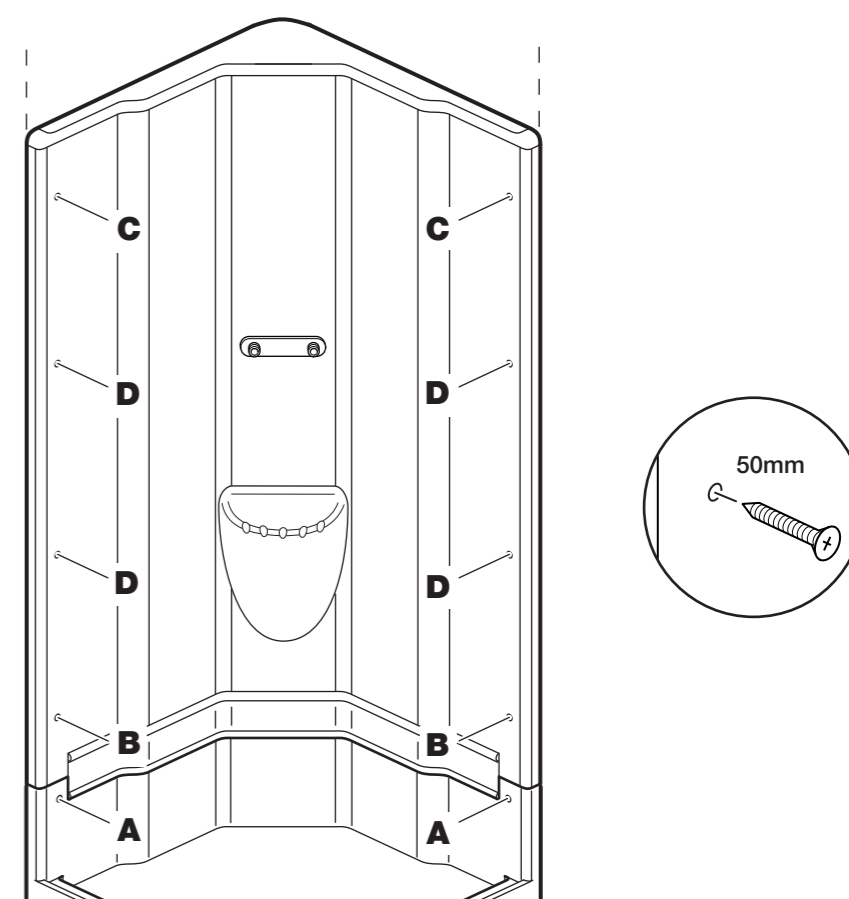
Swing the base unit out from the corner to gain enough space to access the back.

5



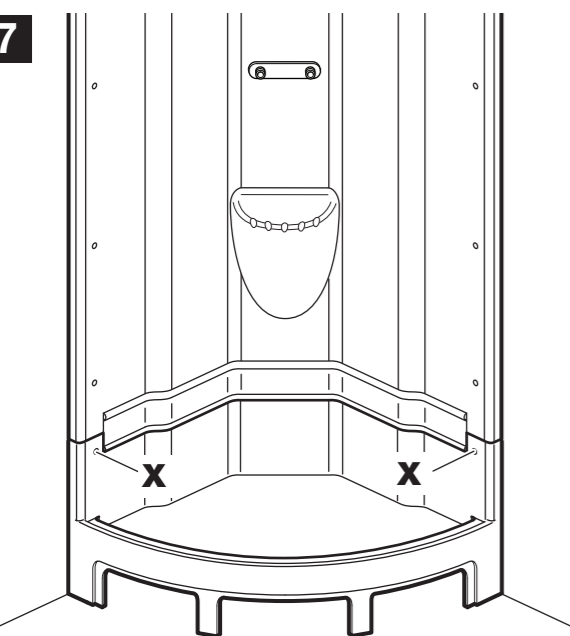
Attach the two speed fit barrier pipes to the rear connections on the back of wall unit. Check for leaks.
Position the wall unit onto the base.
NOTE: Lowering the wall unit onto the base is a **TWO** person job.

6



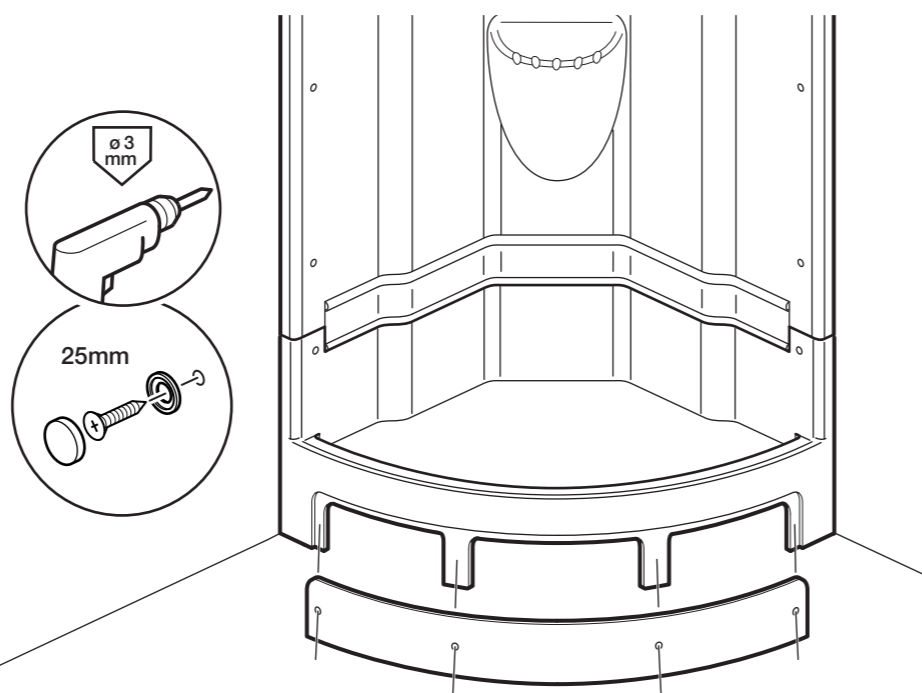
Reposition the pod back into the corner and realign the front edges of the wall unit with the lines marked on the walls.
IMPORTANT: Fix in position in the order shown (A, B, C, & D) using 50mm screws.
DO NOT OVERTIGHTEN.

7



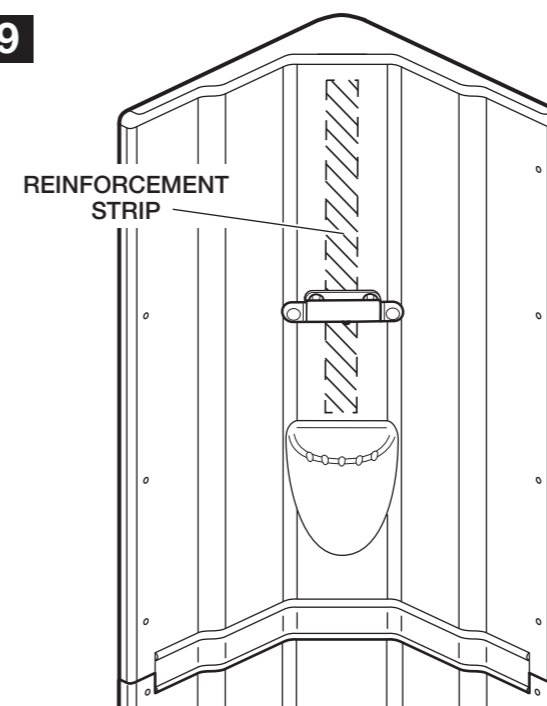
If after fixing the wall unit, there is a misalignment between the wall and base units, remove the two base unit fixing screws (X), realign the base and re-fix.
DO NOT OVERTIGHTEN.

8



Fit the shower valve (refer to the manufacturer's instructions).
Through the access hole in the base unit, connect the speed fit barrier pipes to the water inlets. Ensure the hot and cold pipes are connected to their corresponding connections. Fit a shower waste and pipe work. Check for leaks. Position the access cover, drill through the cover and base using a 3mm drill bit. Fix the cover using 25mm screws, plastic washers and screw caps. **DO NOT OVERTIGHTEN.**

9



The shower handset riser rail should only be fitted onto the corner above the shower valve. The corner has built-in reinforcement for the fixing screws.
SEALING: Although the unit should be watertight without sealing, Silicone sealant can be applied along the horizontal joints and over the screw holes.

IMPORTANT

If silicone sealant is used you must not use or work on the base unit for 24 hours after installation.

DO NOT use bleach, scouring powders, solvents or other aggressive cleaning agents. To clean use warm soapy water and a clean cloth and rinse off.

NOTE: The base should be inspected six months after installation, check for any floor movement and adjust the legs if necessary to ensure they are all resting on the floor.

A PRODUCT OF THE CORAM GROUP OF COMPANIES

Coram Shower Pods Limited
Stanmore Industrial Estate
Bridgnorth
Shropshire WV15 5HP
www.coramshowerpods.co.uk

**CUSTOMER CARELINE:
01746 713410**