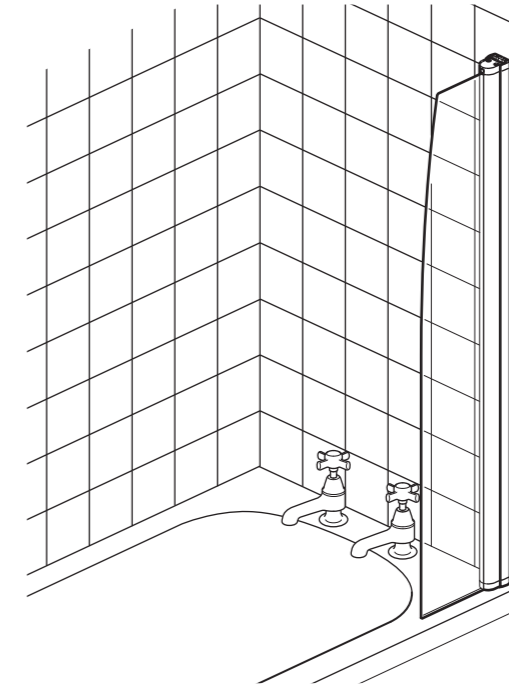


SHOWER CURTAIN SCREEN



**Please read these instructions carefully and keep for future reference.
Incorrect fitting will invalidate the guarantee.**

SAFETY

- Handle glass with great care. Although the glass is very tough, sharp impacts can damage the curtain screen.
- Make sure there are no hidden pipes or cables hidden in the wall where you intend to drill.
- Wear safety goggles, shoes and appropriate clothing.
- If you have long hair, tie it back out of the way.

BEFORE INSTALLATION

- Two people are needed to carry out parts of the procedure, lift with care.
- Check the bath is perfectly level and does not sag or bow when you stand or sit in it.
- The curtain screen must only be fitted on water proof walls i.e. tiled walls which are sealed with waterproof grout.
- Check that the bath has a flat top edge with no protruding handles.
- Always check very carefully that components are vertical.
- Please correctly dispose of packaging properly after installation.

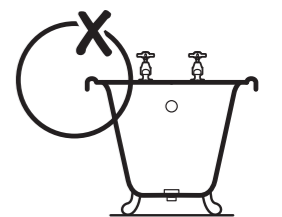
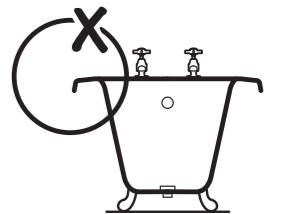
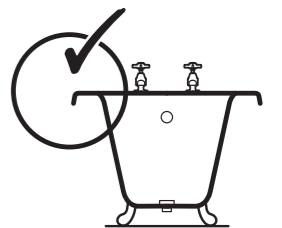
Equipment needed:

Drill, 6.5mm Masonry Bit, 4.5mm Metal Bit (general), Crosshead Screwdriver, Spirit Level, Pencil, Silicone Sealant, Tape Measure, Masking Tape.

Note: The screws and wall plugs supplied are for masonry walls. For lightweight walls i.e. stud partition, plasterboard etc, use the correct type of fixings.

IMPORTANT

Curtain screens should not be fitted to drop-fronted baths or baths with lipped fronts (see diagrams below).



CARE AND MAINTENANCE

IMPORTANT: You must not use the bath or shower for 24 hours after installation of the curtain screen.

DO NOT use bleach, scouring powders, solvents or other aggressive cleaning agents. To clean, use warm soapy water and a clean cloth and rinse off.

DO NOT apply weight or pressure to the curtain screen.

Periodically check all fixings and fittings and tighten if necessary.

CORAM SHOWERS LTD

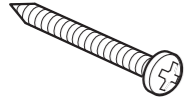
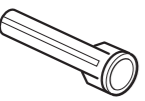

Stanmore Industrial Estate, Bridgnorth, Shropshire WV15 5HP, UK • Tel: 01746 766466 • Fax: 01746 764140
www.coram.co.uk

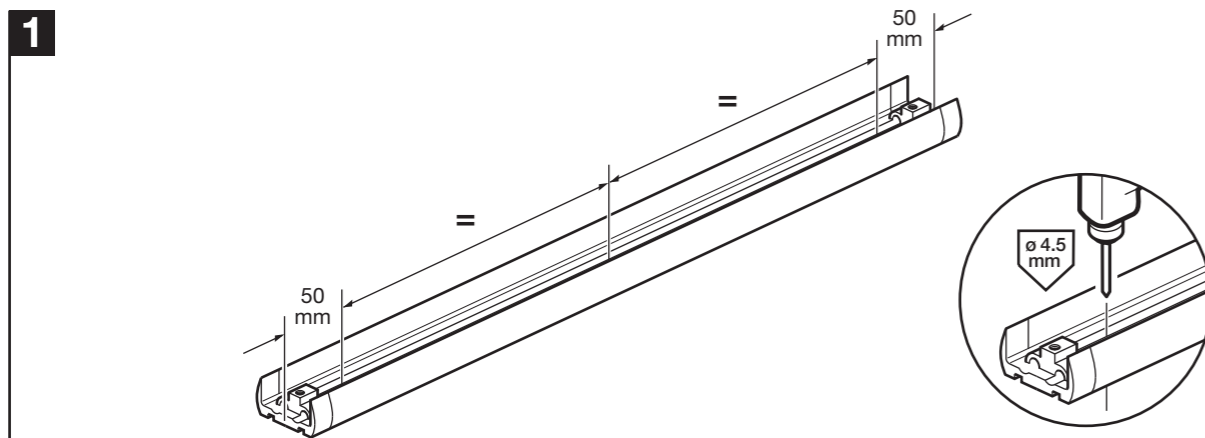
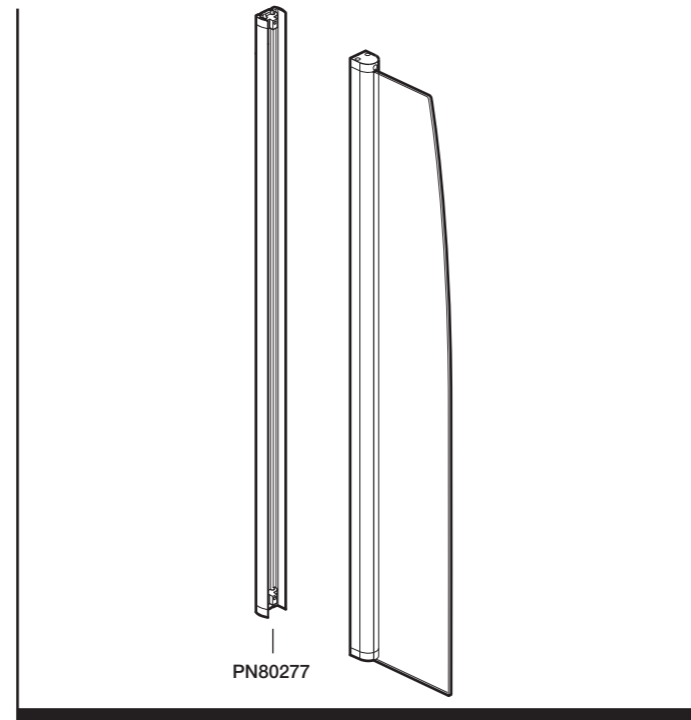
CUSTOMER CARELINE 01746 713410

Check contents of pack before installation.

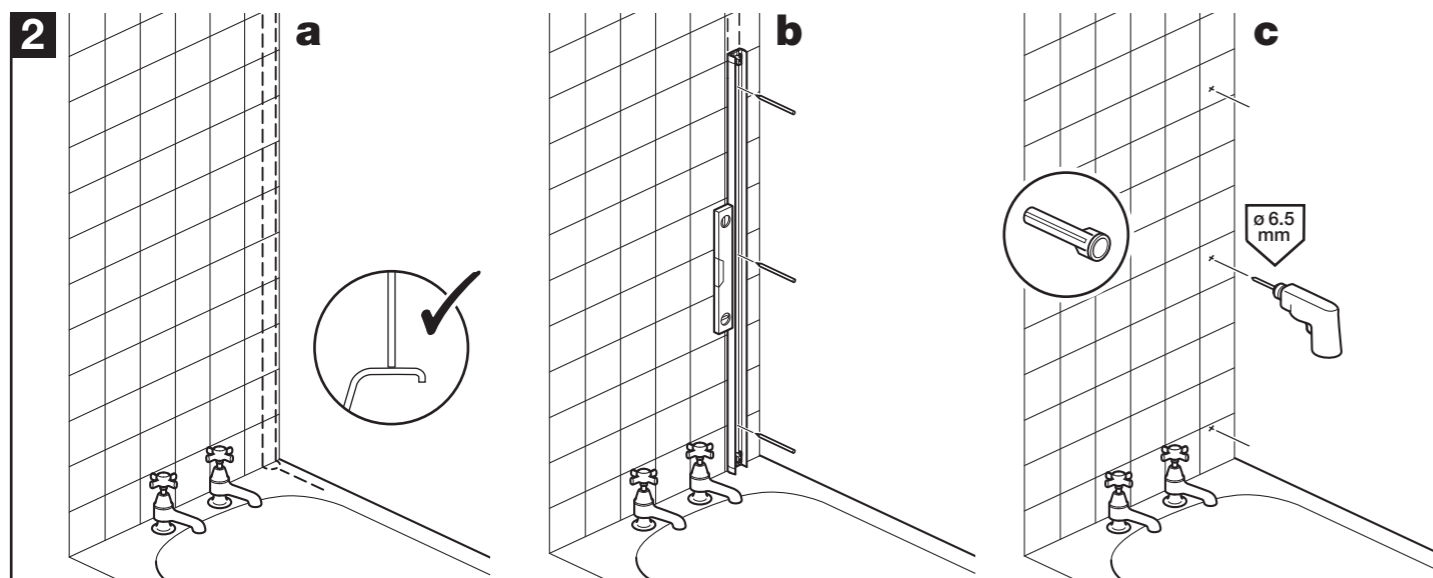
If there is anything missing, contact our Customer Careline for assistance.

CUSTOMER CARELINE: 01746 713410

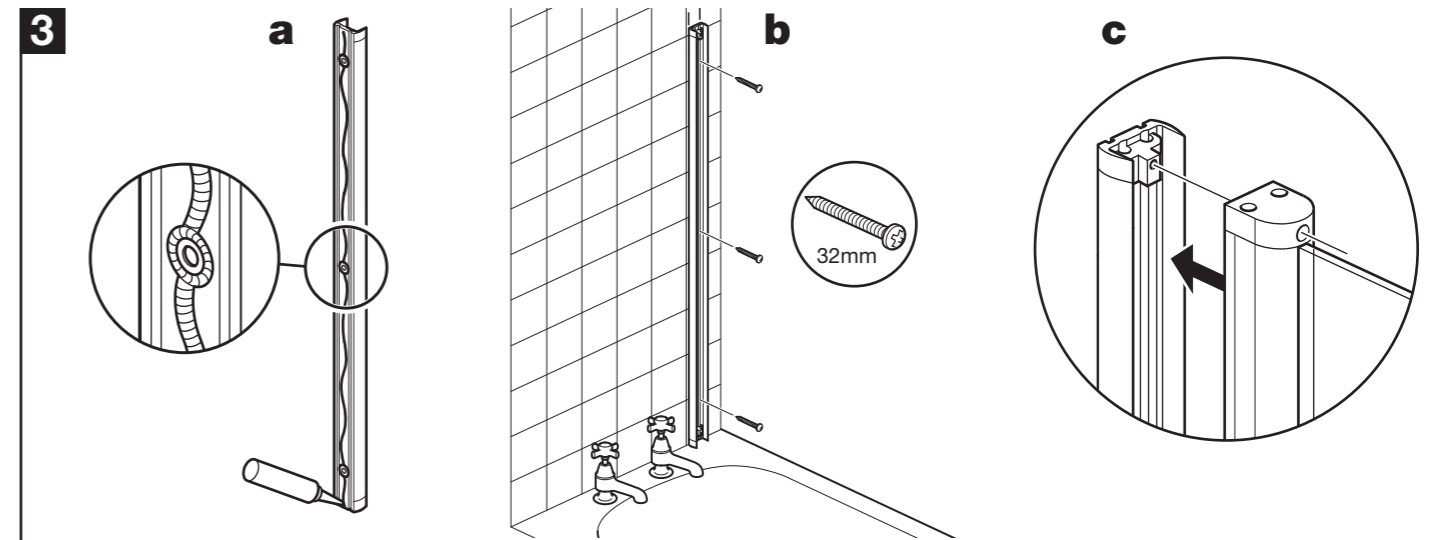
	PN8203 32mm Screw	3
	PN3230 Wall plug	3
	PN4745 Screw cap	1



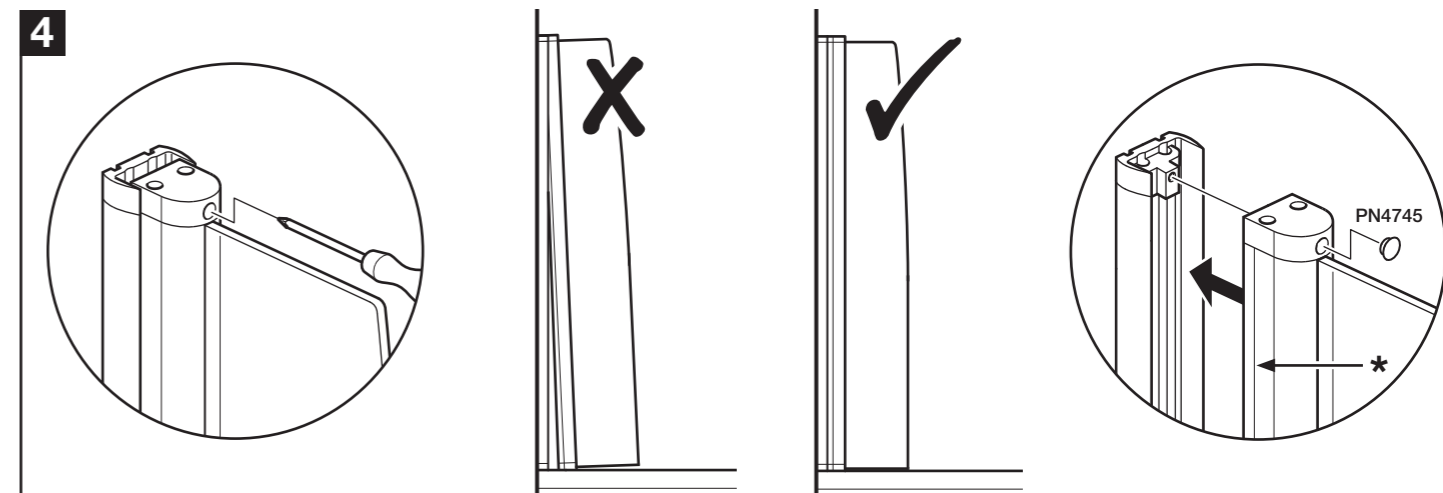
Drill three holes in the wall channel (PN80277) at points shown using a 4.5mm drill bit, through the grooved centre line.



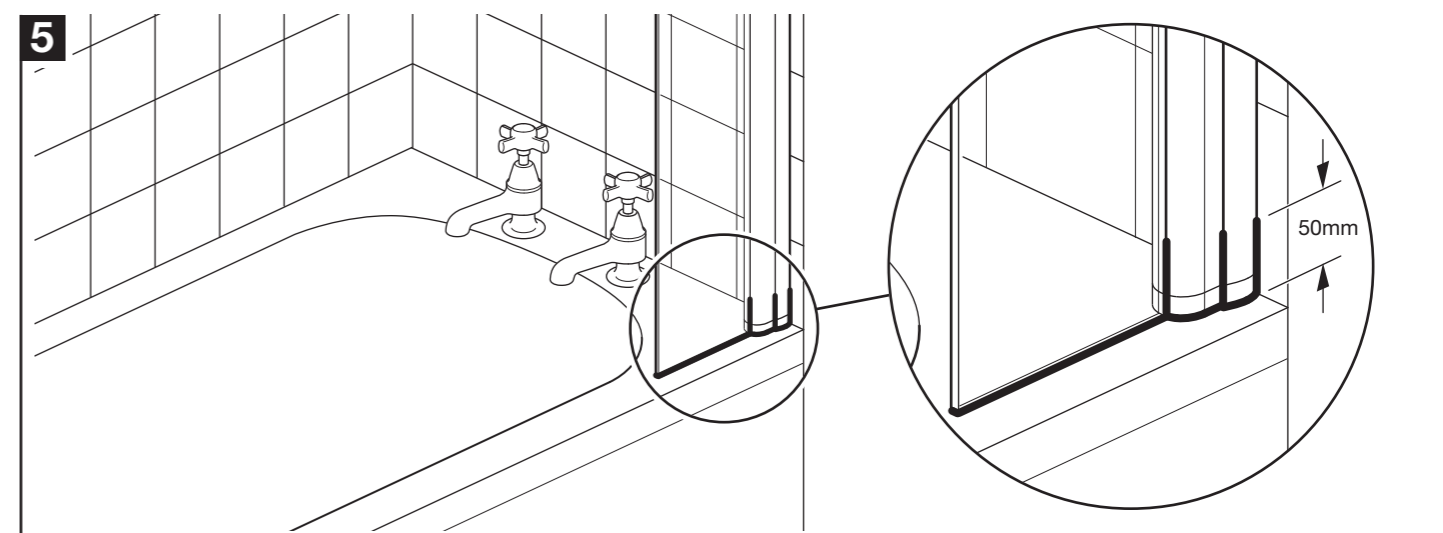
(a) Position the curtain screen on the edge of the bath ensuring the vertical profiles are supported on the bath rim. (b) Place the wall channel against the wall, ensure it is perfectly vertical and mark off the drill hole positions against the wall. Place masking tape against the wall before you mark hole positions. (c) Drill 6.5mm holes to a depth of 30mm. Insert wall plugs.



(a) Apply silicone sealant to back of wall channel as shown. (b) Fix the wall channel to the wall using the 32mm screws. (c) Insert the curtain screen into the wall channel fully tightening the top screw.



Adjust the curtain screen by tightening or loosening the top screw so that the bottom of the glass runs evenly along the bath rim. The curtain screen **MUST NOT** come out of the wall channel beyond the marked line (*). Push fit the screw cap.



Apply silicone sealant to the outside of the curtain screen where shown. **DO NOT** apply silicone sealant to the inside face of the curtain screen.