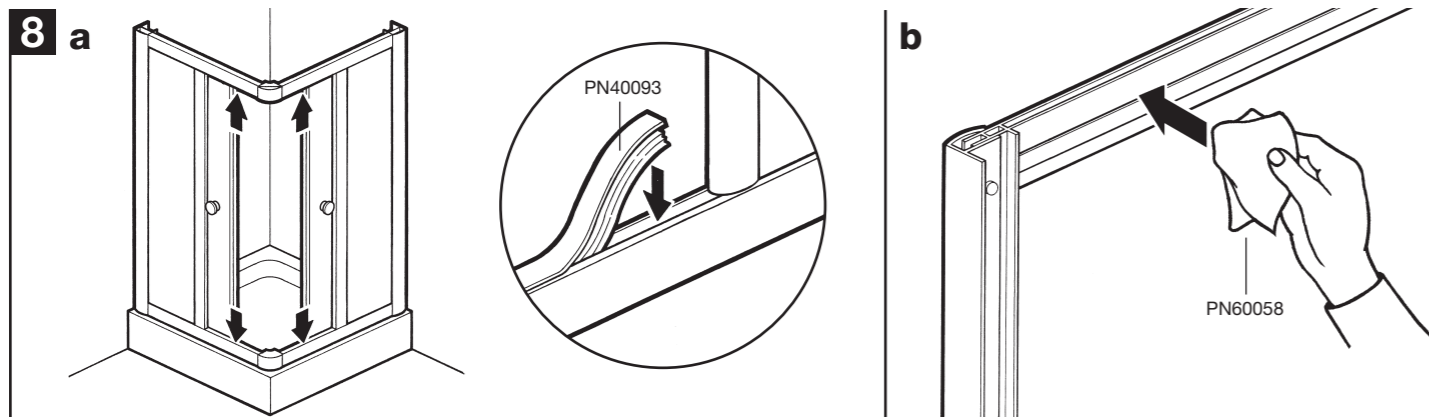
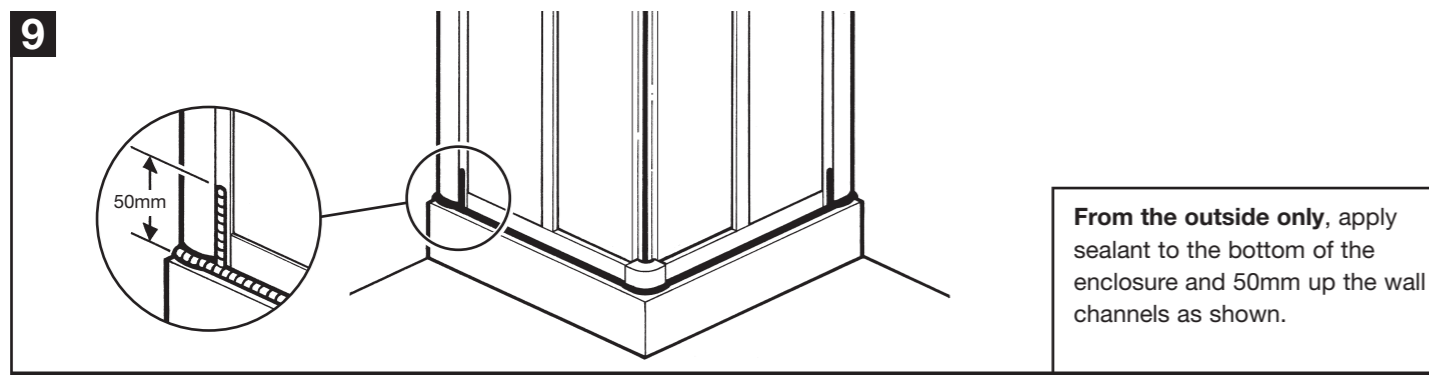


Doors may need adjusting (as in **a**, **b** & **c**) so they are square, meet in the middle and slide freely.
(a) Loosen top hanger screws (1 turn maximum) on doors. **(b)** Rotate top mouldings until bottom mouldings hook under bottom rail. **(c)** Rotate top mouldings to lift doors back up (with bottom sliders hooked under rail), re-tighten hanger screws.
 Fit covers caps onto top and bottom mouldings.



(a) Push-fit threshold strip (PN40093) in to top and bottom rails. Cut to length, ensuring they fit up to corner mouldings.
(b) Lubricate inner top and bottom rails with wipe provided.



From the outside only, apply sealant to the bottom of the enclosure and 50mm up the wall channels as shown.

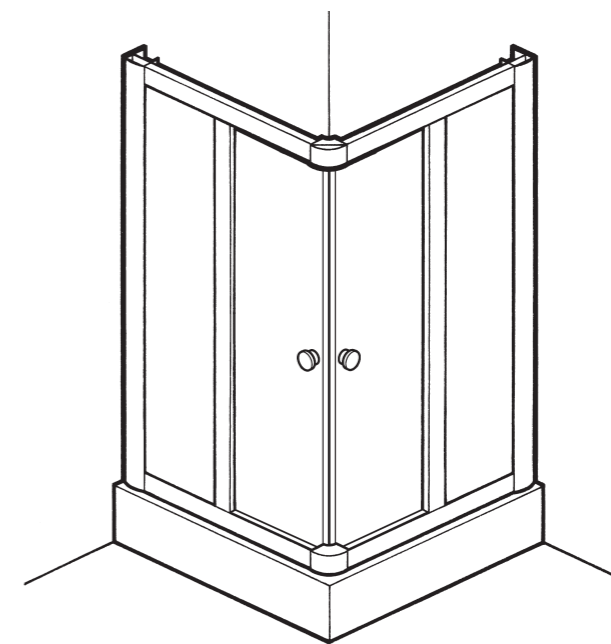
⚠ CARE AND MAINTENANCE

IMPORTANT: You must not use the shower for 24 hours after installation of the enclosure.

DO NOT use bleach, scouring powders, solvents or other aggressive cleaning agents. To clean, use warm soapy water and a clean cloth and rinse off.

Periodically check all fixings and fittings and tighten if necessary.

OPTIMA CORNER ENTRY SHOWER ENCLOSURE



*Please read these instructions carefully and keep for future reference.
 Incorrect fitting will invalidate the guarantee.*

⚠ SAFETY

- Handle glass with great care. Although the glass is very tough, sharp impacts can damage both the glass and metal frame.
- Make sure there are no hidden pipes or cables hidden in the wall where you intend to drill.
- Wear safety goggles, shoes and appropriate clothing.

⚠ BEFORE INSTALLATION

- Check that the shower tray is level in all directions. The enclosure will not sit correctly on an uneven surface. If uneven, the wall channels may not fit and the doors may not shut correctly.
- The enclosure should be fitted on tiled walls which are sealed with waterproof grout. There must be a good silicone seal between the rim of the shower tray and the wall.
- The shower tray and the enclosure must match in size. Attempting to fit the incorrect size of enclosure to the shower tray will result in water leaks.
- Always check very carefully that components are vertical.
- To avoid damage, use the opened out packaging to build the enclosure on.

Equipment needed:

Drill, 6.5mm Masonry Bit, 4.5mm & 3mm Metal Bits (general), Crosshead Screwdriver, Large Flatblade Screwdriver, Right Angle, Fine Tooth Saw, Spirit Level, Scissors, Pencil, Silicone Sealant, Tape Measure, Masking Tape.

Note: The screws and wall plugs supplied are for masonry walls. For lightweight walls i.e. stud partition, plasterboard etc, use the correct type of fixings.

A PRODUCT OF THE CORAM GROUP OF COMPANIES

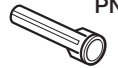








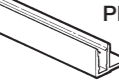


Coram Showers Ltd. Stanmore Industrial Estate, Bridgnorth, Shropshire WV15 5HP, UK • Tel: +44 (0) 1746 766466 • Fax: +44 (0) 1746 764140
 www.coram.co.uk

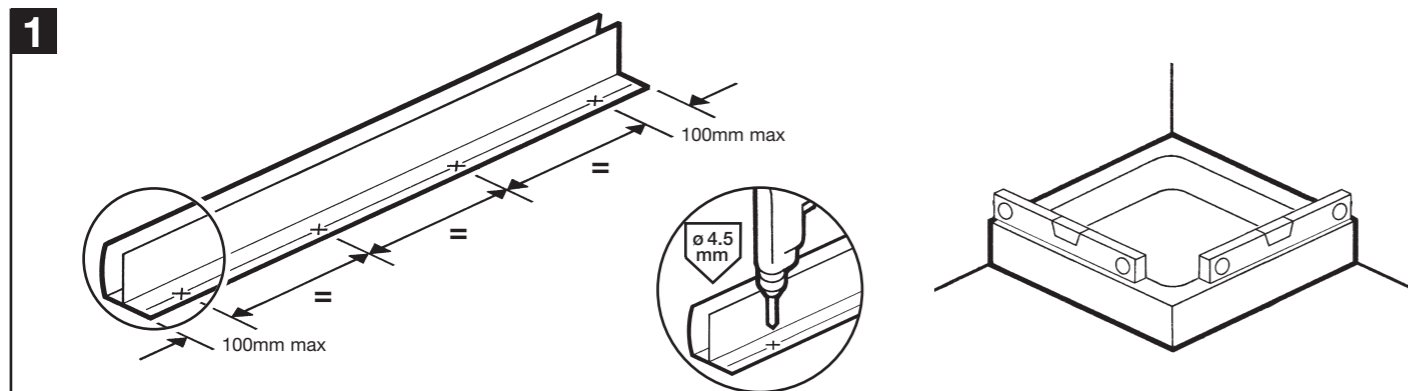
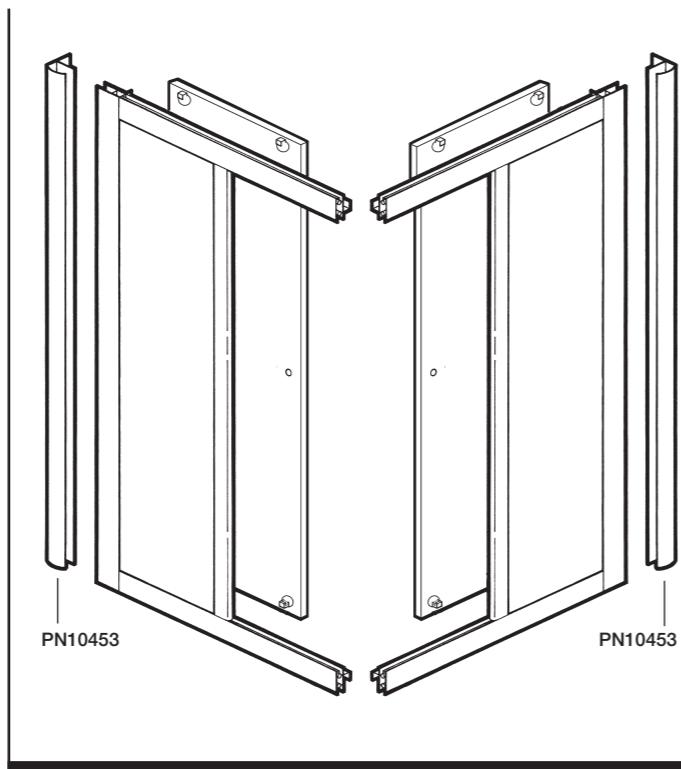
CUSTOMER CARELINE 01746 713410

Check contents of pack before installation.

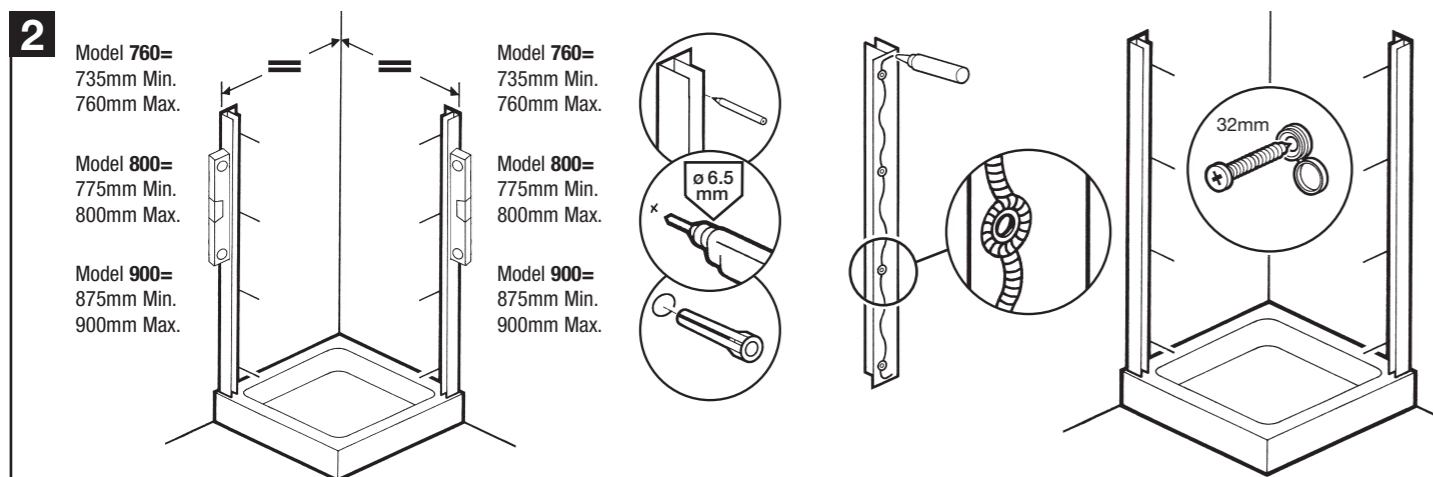
If there is anything missing, contact our Customer Careline for assistance.

CUSTOMER CARELINE: 01746 713410

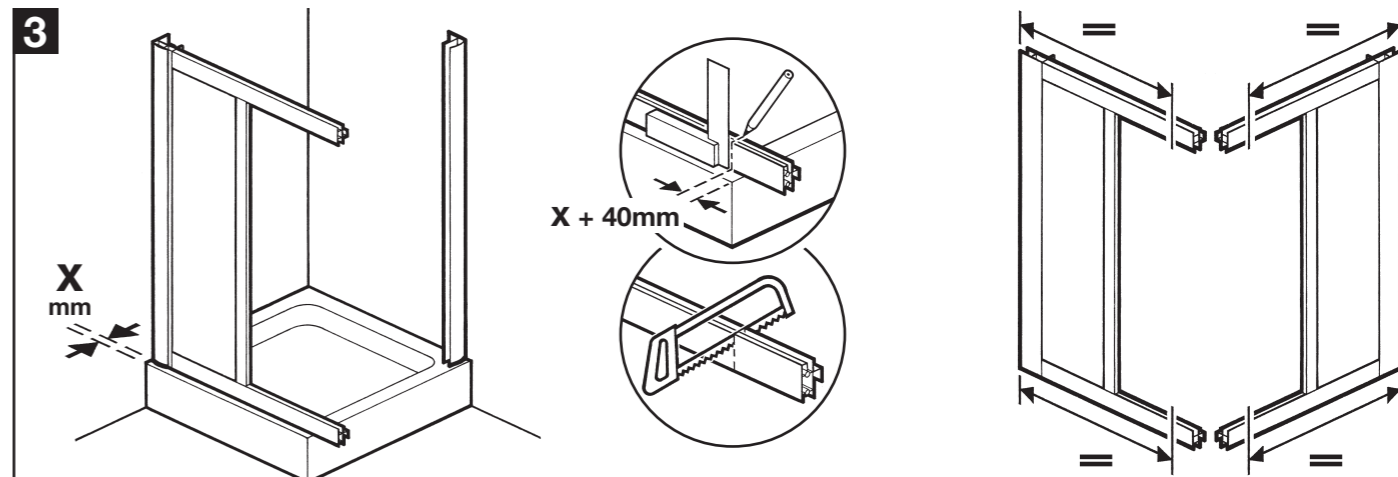
	PN3230	8		PN50181	2
	PN3225	16		PN50180	2
	PN3222	6		PN40093	1
	PN4748	14		PN60058	1
	PN6020702	2		PN40095	2
	PN50186	8		PN40154/6	1/1



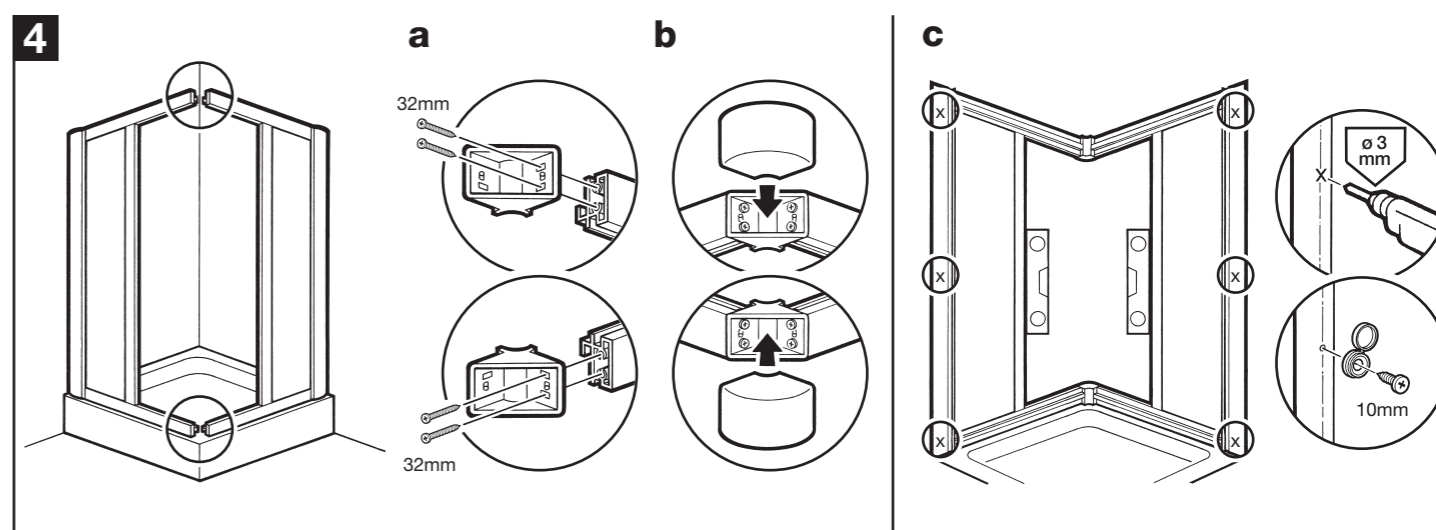
Drill holes in both wall channels (PN10453) at points shown using a 4.5mm drill bit, through the edge shown and in the grooves. Ensure shower tray is level in all directions.



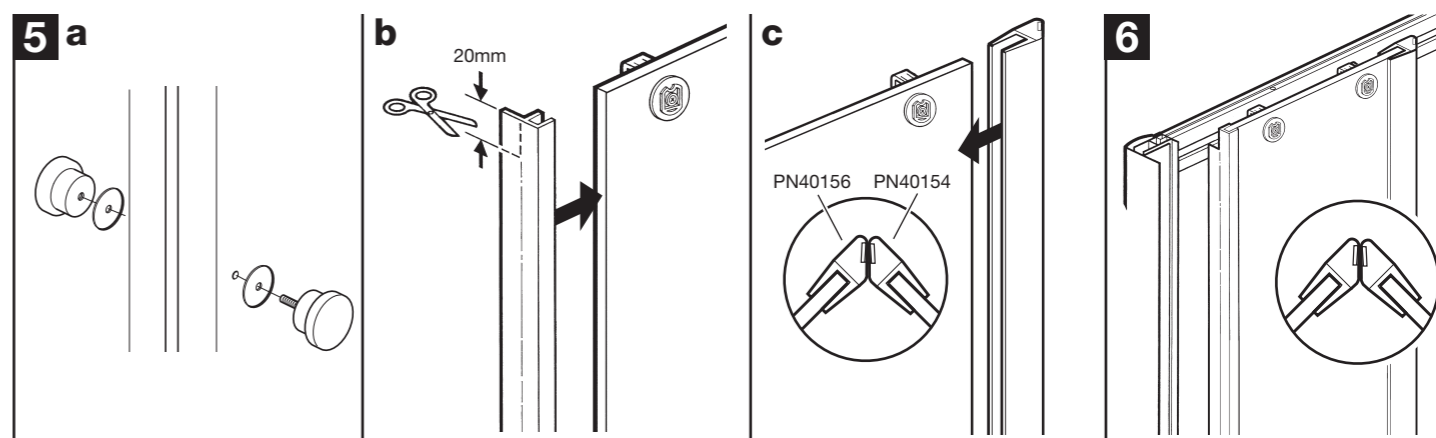
Place wall channels on tray as shown (to fit within the dimensions above), ensure they are vertical. Place masking tape against the wall before marking the drill hole positions, this will prevent the drill bit slipping. Drill 6.5mm holes – 30mm deep, insert wall plugs and apply sealant to back of wall channels. Fix to walls using 32mm screws and screw caps.



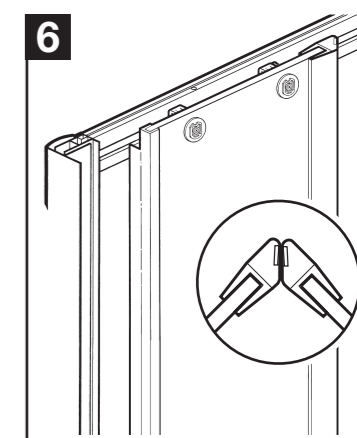
Insert a side panel into a wall channel. If required mark and cut the bottom rail as shown. Measure the cut rail and cut the remaining top and bottom rails to the same length.



(a) Fit the top and bottom corner mouldings and fix using 32mm screws. (b) Push fit the corner moulding cover caps. (c) Ensure enclosure sides are vertical. Drill inside wall channels using 3mm drill bit where shown. Do not drill too deep. Fix using 10mm screws and screw caps.



(a) Fit the door handles ensuring the supplied handle washers are used on each side of the glass. (A chrome finish handle is supplied with all frame finish options) **DO NOT OVER TIGHTEN**, finger tighten only. (b) If needed, trim door seals to length. Trim the top and bottom corners of each door seal as shown. Push-fit the door seals onto back edge of each door (opposite side to door handle). (c). Push-fit the magnetic seals onto the other side of the doors. Ensure the seals meet as shown.



Hang the doors on to top track of the frame. Ensure the seals meet as shown.