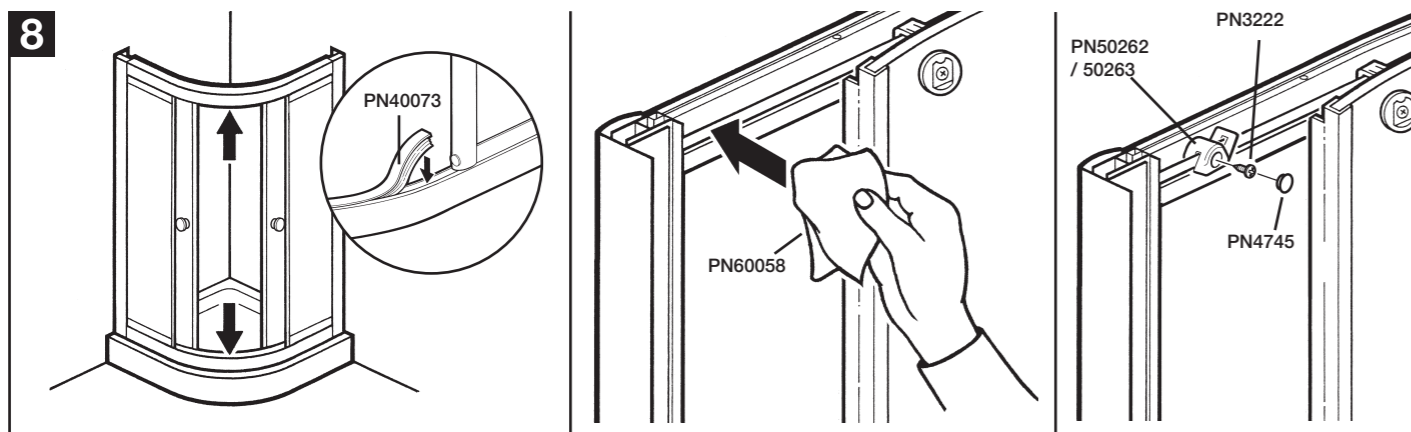
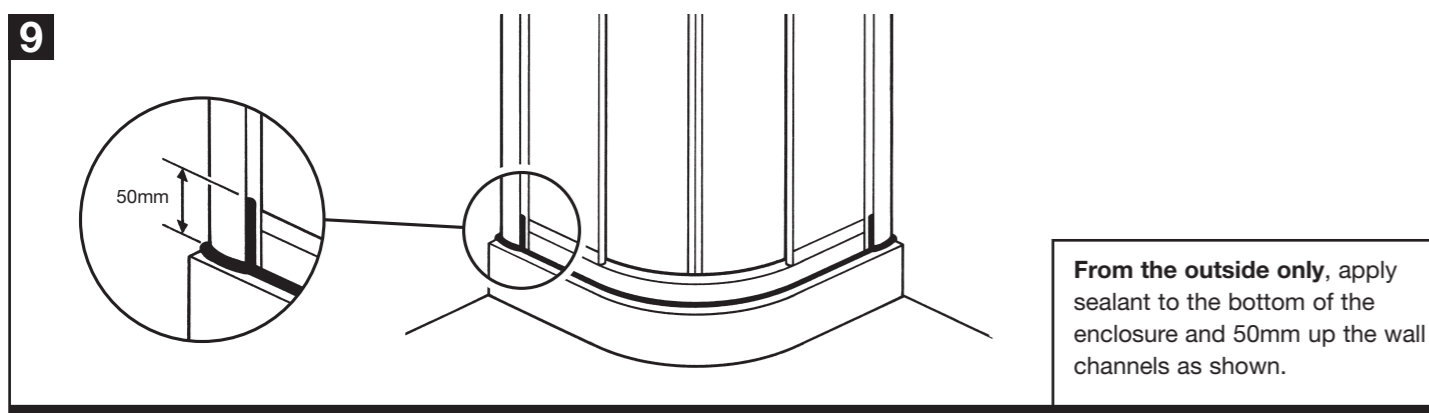


7 (a) Loosen top hanger screws (1 turn maximum) on doors. (b) Rotate top mouldings until bottom mouldings hook under bottom rail. (c) Rotate top mouldings to lift doors back up (with bottom sliders hooked under rail), re-tighten hanger screws. Doors may need adjusting (as in a, b & c) so they are square, meet in the middle and slide freely. Fit covers caps onto top and bottom mouldings.



8 Push fit threshold strip to top and bottom rails. Cut to length, ensuring they fit up to each fixed panel. Lubricate inner top and bottom rails with wipe provided. Fit doorstops using 10mm screws and push fit screw cover cap (PN4745).



9 From the outside only, apply sealant to the bottom of the enclosure and 50mm up the wall channels as shown.

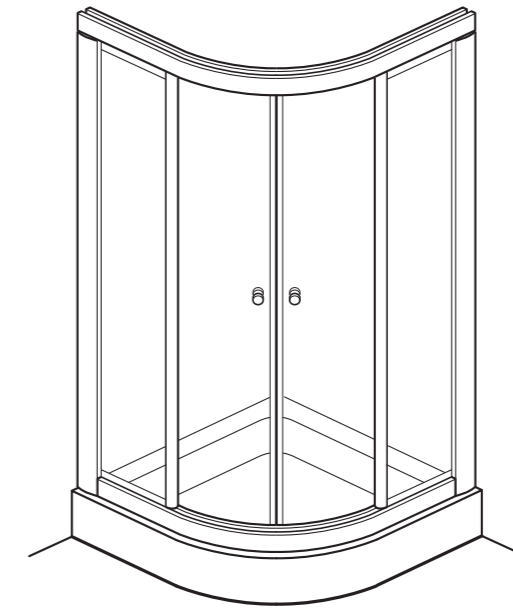
⚠ CARE AND MAINTENANCE

IMPORTANT: You must not use the shower for 24 hours after installation of the enclosure.

DO NOT use bleach, scouring powders, solvents or other aggressive cleaning agents. To clean, use warm soapy water and a clean cloth and rinse off.

Periodically check all fixings and fittings and tighten if necessary.

OPTIMA QUADRANT SHOWER ENCLOSURE



Please read these instructions carefully and keep for future reference. Incorrect fitting will invalidate the guarantee.

⚠ SAFETY

- Handle glass with great care. Although the glass is very tough, sharp impacts can damage both the glass and metal frame.
- Make sure there are no hidden pipes or cables hidden in the wall where you intend to drill.
- Wear safety goggles, shoes and appropriate clothing.
- If you have long hair, tie it back out of the way.

⚠ BEFORE INSTALLATION

- Two people are needed to carry out parts of the procedure, lift with care.
- Check that the shower tray is level in all directions. The enclosure will not sit correctly on an uneven surface. If uneven, the wall channels may not fit and the doors may not shut correctly.
- The enclosure should be fitted on tiled walls which are sealed with waterproof grout. There must be a good silicone seal between the rim of the shower tray and the wall.
- This product is designed to be fitted to a 800/900 Quadrant trays only.
- Always check very carefully that components are vertical.
- To avoid damage, use the opened out packaging to build the enclosure on.
- Please correctly dispose of packaging properly after installation.

Equipment needed:

Drill, 6.5mm Masonry Bit, 4.5mm & 3mm Metal Bits (general), Crosshead Screwdriver, Large Flatblade Screwdriver, Spirit Level, Scissors, Pencil, Silicone Sealant, Tape Measure, Masking Tape.

Note: The screws and wall plugs supplied are for masonry walls. For lightweight walls i.e. stud partition, plasterboard etc, use the correct type of fixings.

A PRODUCT OF THE CORAM GROUP OF COMPANIES

Coram Showers Ltd. Stanmore Industrial Estate, Bridgnorth, Shropshire WV15 5HP, UK • Tel: 01746 766466 • Fax: 01746 764140

www.coram.co.uk

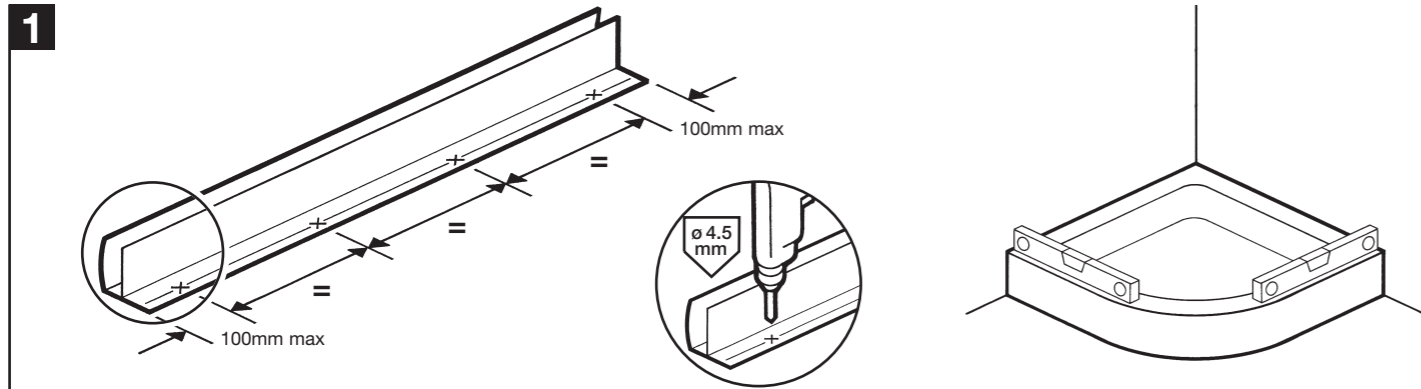
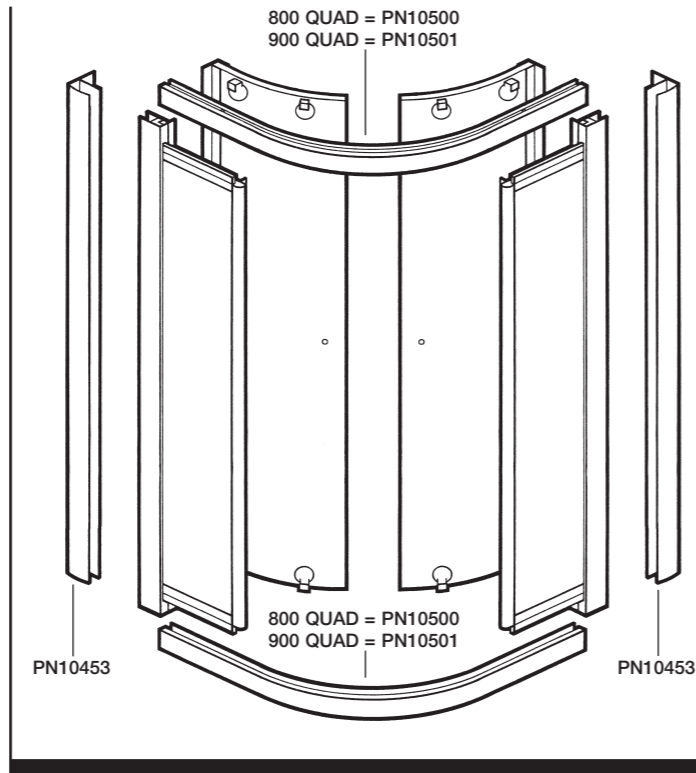
CUSTOMER CARELINE 01746 713410

Check contents of pack before installation.

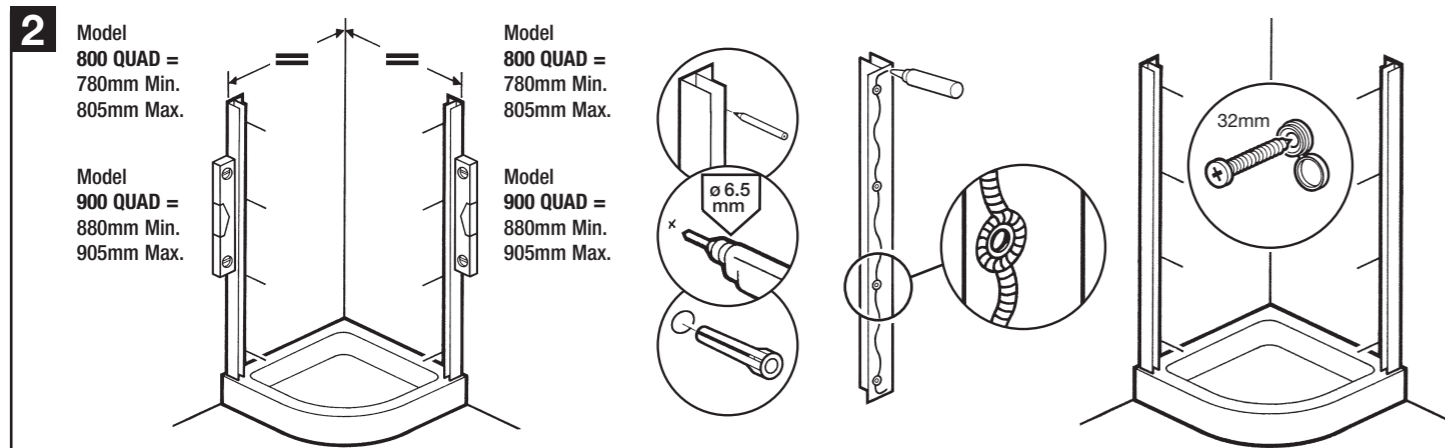
If there is anything missing, contact our Customer Careline for assistance.

CUSTOMER CARELINE: 01746 713410

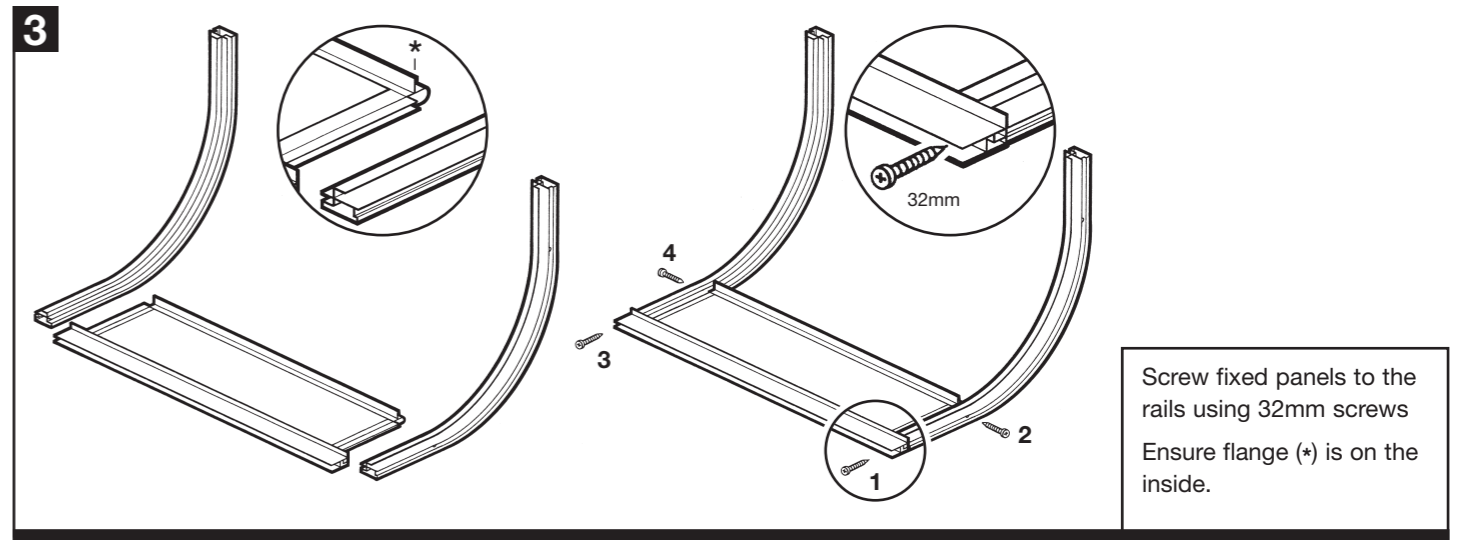
PN3230	8	PN4745	8
PN3225	16	PN50186	8
32mm PN3222	10	PN60058	1
10mm PN4748	14	PN40073	2
PN6020702	2	PN40154	2
		PN50262 PN50263	1/1



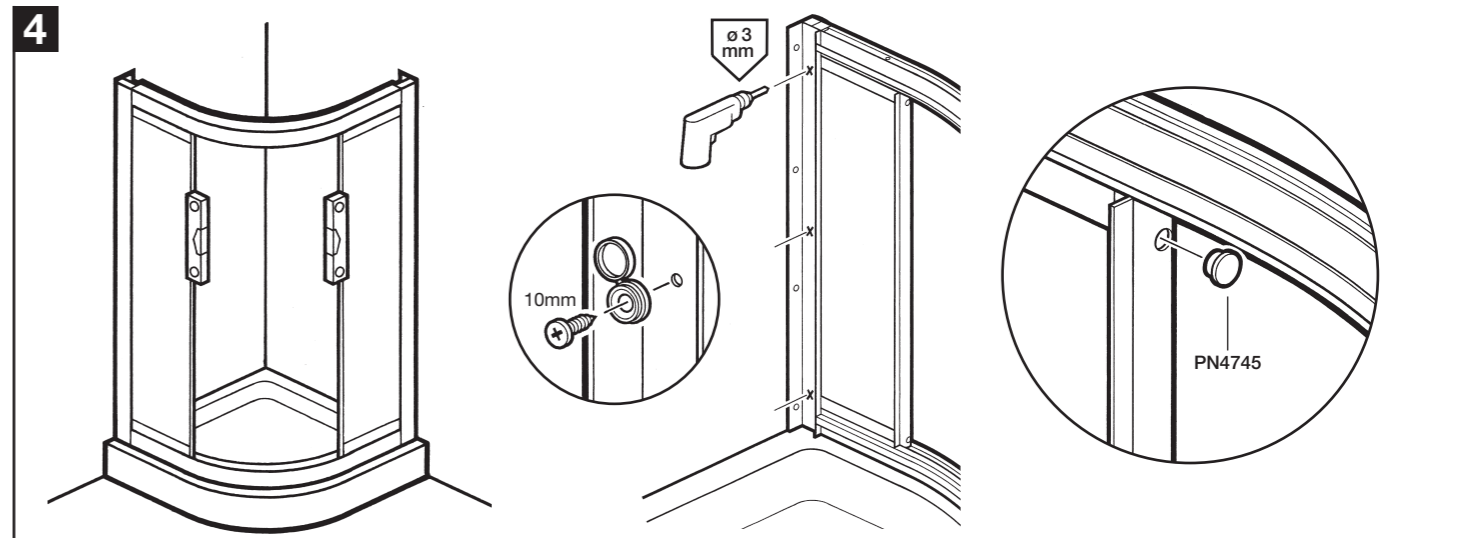
Drill holes in both wall channels (PN10453) at points shown using a 4.5mm drill bit, through the edge shown and in the grooves. Ensure shower tray is level in all directions.



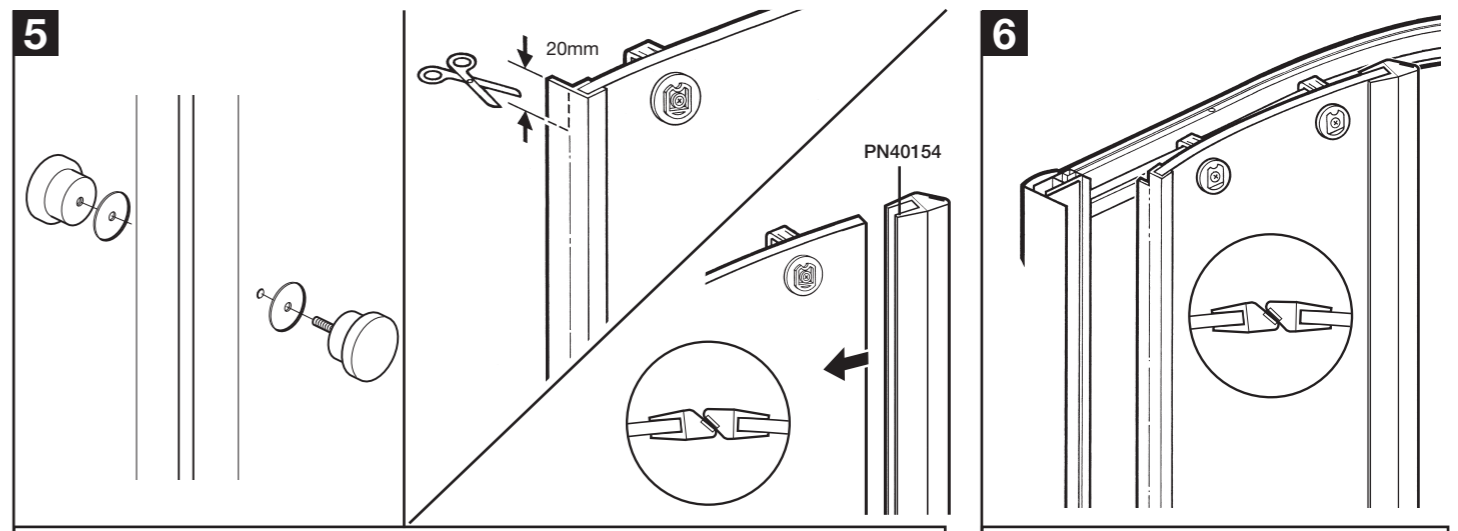
Place wall channels on tray as shown (to fit within the dimensions above), ensuring they are vertical. Place masking tape against the wall before marking the drill hole positions. This will prevent the drill bit slipping. Drill 6.5mm holes – 30mm deep, insert wall plugs and apply sealant to back of wall channels. Fix to walls using 32mm screws and screw caps.



Screw fixed panels to the rails using 32mm screws. Ensure flange (*) is on the inside.



Slot enclosure into the wall channels, one side at a time. Two people may be required for this procedure. Check enclosure is vertical. Drill inside of wall channels using 3mm drill bit where shown. Do not drill too deep. Fix using 10mm screws and screw caps. Push fit all 4 hole plugs top and bottom of fixed panels.



Fit door handles ensuring the supplied handle washers are used on each side of the glass (A chrome finish handle is supplied with all frame finish options. **DO NOT OVER TIGHTEN**, finger tighten only). Trim top and bottom corners of each door seal as shown. Push-fit the magnetic seals onto the other side of the doors. Ensure the seals meet as shown.

Hang doors on to top track of the frame. Ensure the seal meet as shown.