

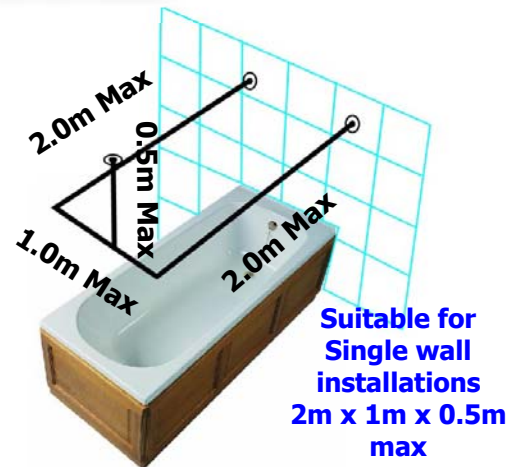
# SHOWER RAIL

Available from  
[www.byretech.com](http://www.byretech.com)

## U Shape Rail Installation.

### Tools required to complete the installation.

- Electric Drill with 8mm masonry drill bit 
- Suitable Hex Screwdriver 
- Masking tape to ensure tiles are not damaged when drilling 
- Stainless Steel Pipe cutter or suitable hacksaw 
- Spirit level to get rail level 
- Tape measure 



## Installation instructions

- Measure up from the **inside base of the bath approximately 190 cm** and make a horizontal line where you would like bracket "a" & "c" to be positioned.

**(This is so the rail and new curtain fit perfectly, as shower curtains are normally 180cm drop from shower rail)**

- Decide on the desired length and width of your shower rail and using a pipe cutter or hacksaw cut the stainless steel rails to size. (**Tip - Rails should be slightly shorter than the length and width of your bath**)

- Push the "T" piece onto the 1m long tube at this stage "d".

- Clean the inside of the tubes and also the elbow piece with a clean cloth. **Note - Take Care there may be sharp metal exposed at the ends.** Take the metal glue and add a moderate amount to the inside of each tube. Push the tube ends over the elbow and leave to set for 10 minutes. **Note - Leave on a flat surface to for the glue to dry.**



- Hold the "U" shaped rail up against the wall as per Diagram 1 and mark the position of the point where the cut tubes touch the wall on your newly marked horizontal line with a pencil "a" & "c".

**Note. You will need an 8mm masonry drill bit to go through your wall tiles**

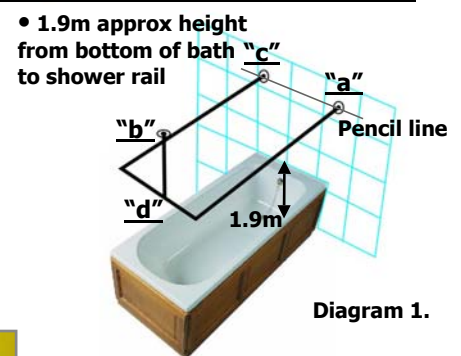
- Fix masking tape to the area where you will fix the brackets "a" & "c". Carefully mark and drill the six holes for the brackets, then add the rawplugs and fix brackets "a" & "c" to wall.

- Insert assembled rail into the wall bracket "a" & "c" then check that the rail is level using a spirit level. Now measure the vertical ceiling support height required and cut the 0.5m tube to length. Remove rail from wall brackets.

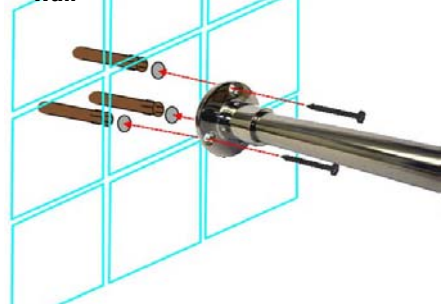
- Slide U shape rail into both brackets again and now slide vertical rail into T piece and slide final mounting bracket onto vertical rail as shown on picture below. Mark position of ceiling fixings and remove rail from wall. Drill and rawplug. (**Note. You may need extra bracing in your ceiling space to screw into**)

- Reassemble the rail onto the wall / ceiling and fix using screws provided.

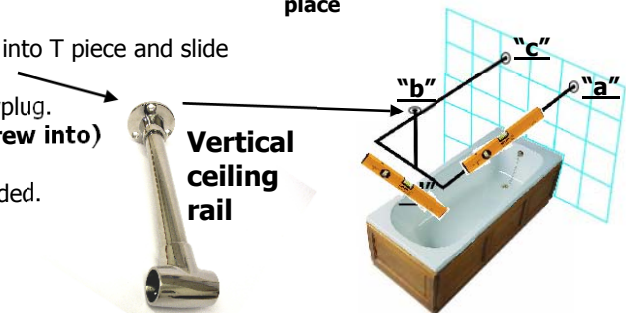
- Tighten all allen screws on all brackets and "T" piece with the allen key provided to finish your installation.



- Tape up area with masking tape
- Mark & drill holes using an 8mm masonry drill
- Add rawplugs & fix bracket to tiled wall



- Ensure rod is level and straight
- Mark new bracket and repeat above procedure then fix rail in place



**Byretech Ltd**  
The Bathroom Water Damage Prevention specialists

Byretech Ltd  
Unit 51 Padgets Lane, South Moons Moat,  
Redditch, Worcestershire B98 0RD UK.  
Phone: +44 (0) 1527 522 522 Fax: +44 (0) 1527 522 111  
E-mail: [info@byretech.com](mailto:info@byretech.com) Web: [www.byretech.com](http://www.byretech.com)