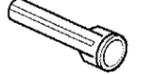
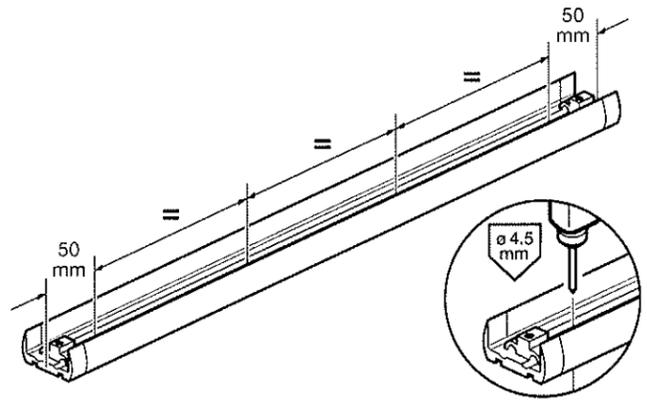
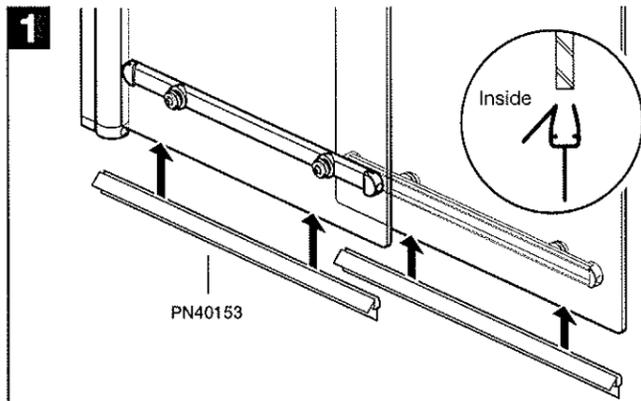
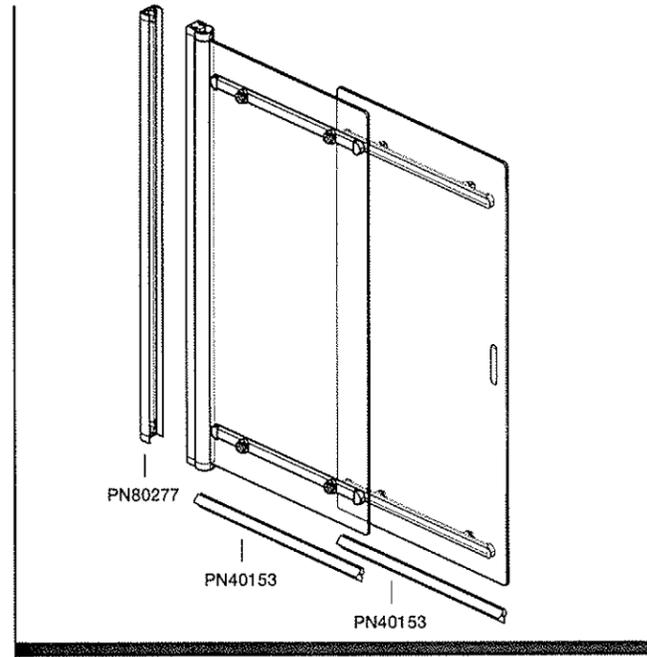


Check contents of pack before installation.

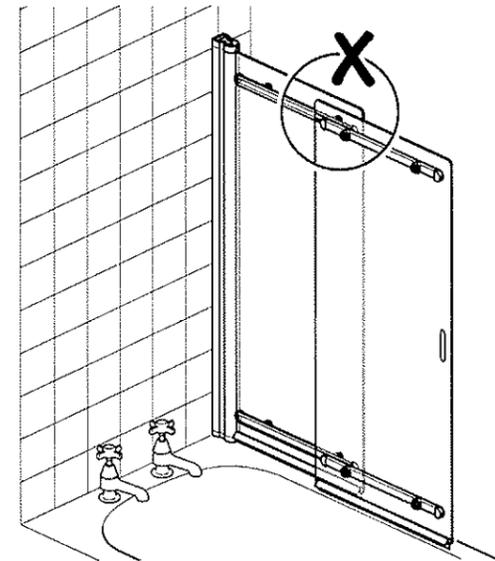
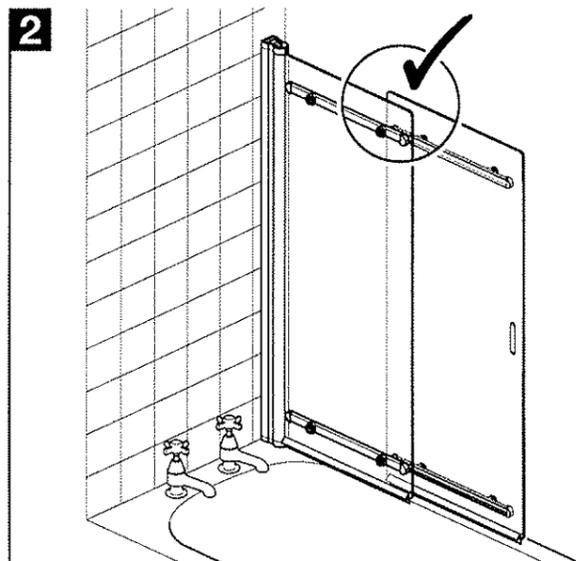
If there is anything missing, contact our Customer Careline for assistance.

CUSTOMER CARELINE: 01746 713410

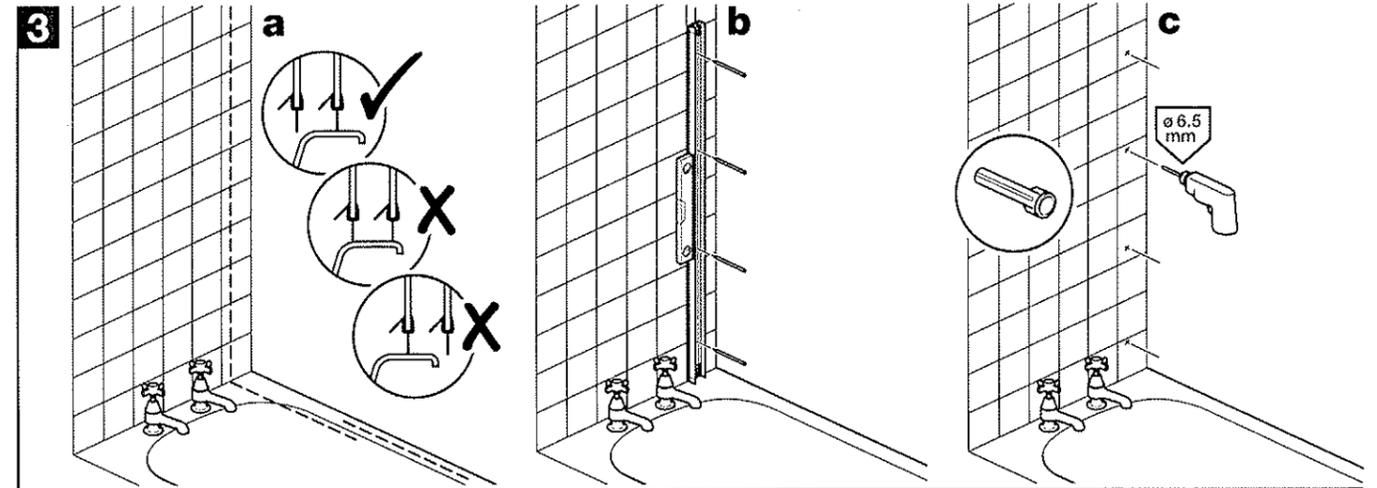
PN8203 	4	PN50103 	8
32mm screw PN3230 	4	Cover PN60058 	1
Wall plug PN50240 	10		
Screw cap		Wipe	



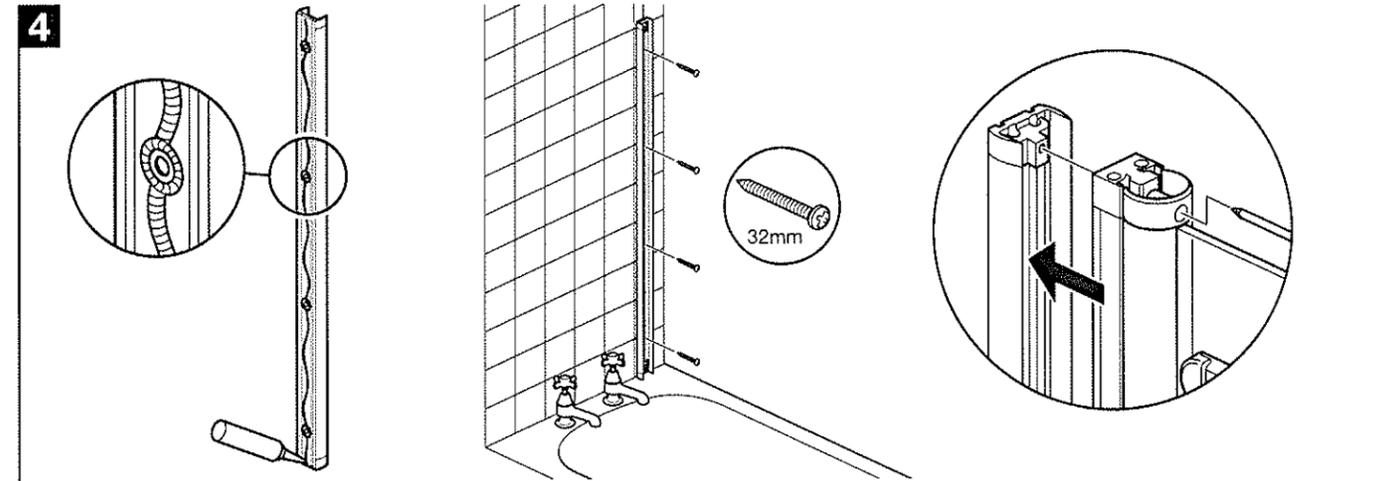
Fit both seals to the bottom of the bathscreen ensuring the seal 'flaps' are on the inside of the screen. Trim to length if required. Drill four holes in the wall channel (PN80277) at points shown using a 4.5mm drill bit, through the grooved centre line.



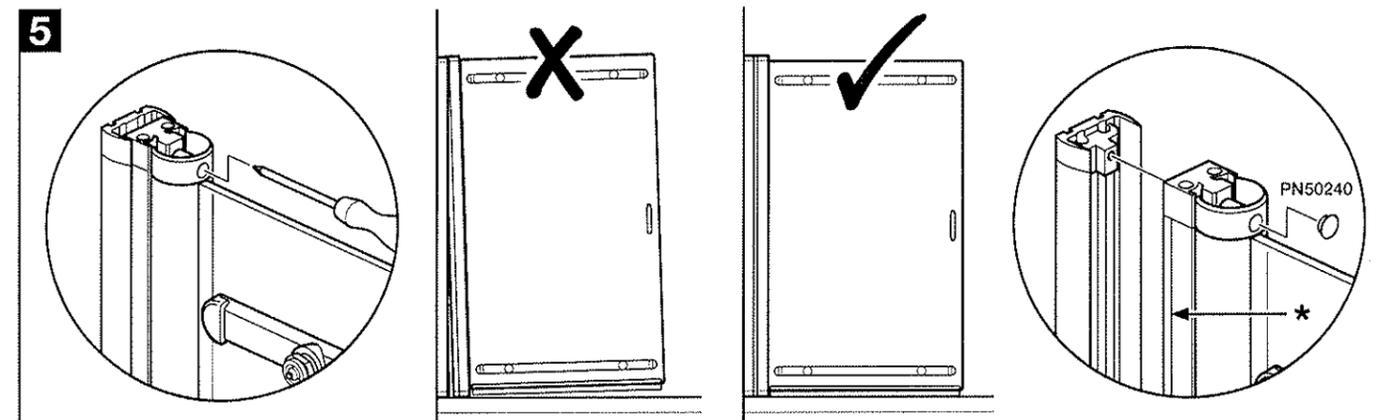
Take note how the two sections of the bathscreen must be positioned on the bath. If not fitted in this way, the bathscreen will leak.



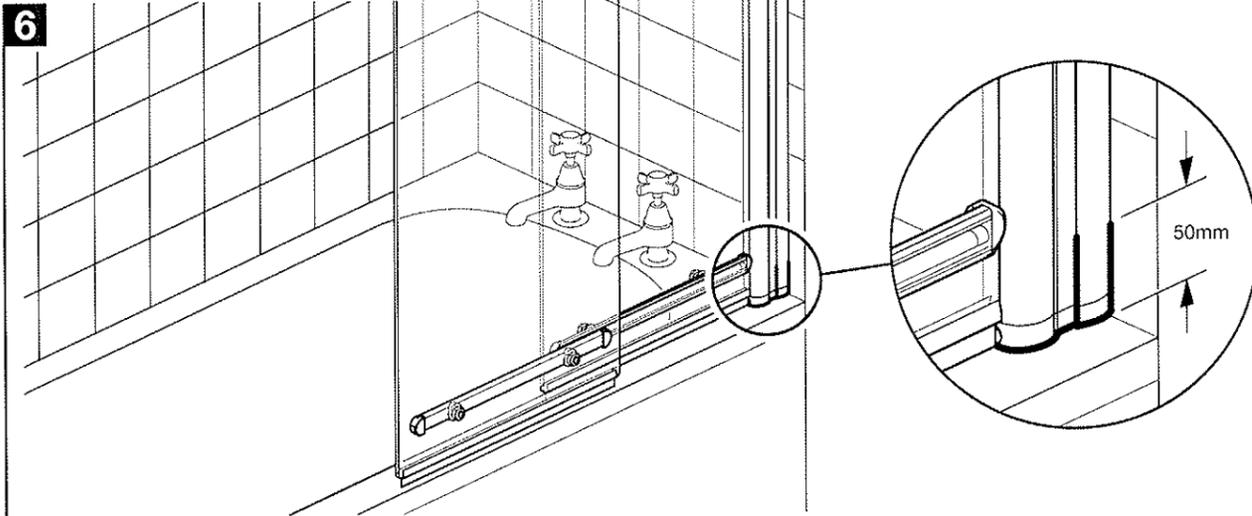
Position the bathscreen so that it rests along the inside of the bath rim (a). Place the wall channel against the wall, ensure it is perfectly vertical and mark off the drill hole positions against the wall (b). Drill 6.5mm holes to a depth of 30mm. Insert wall plugs (c).



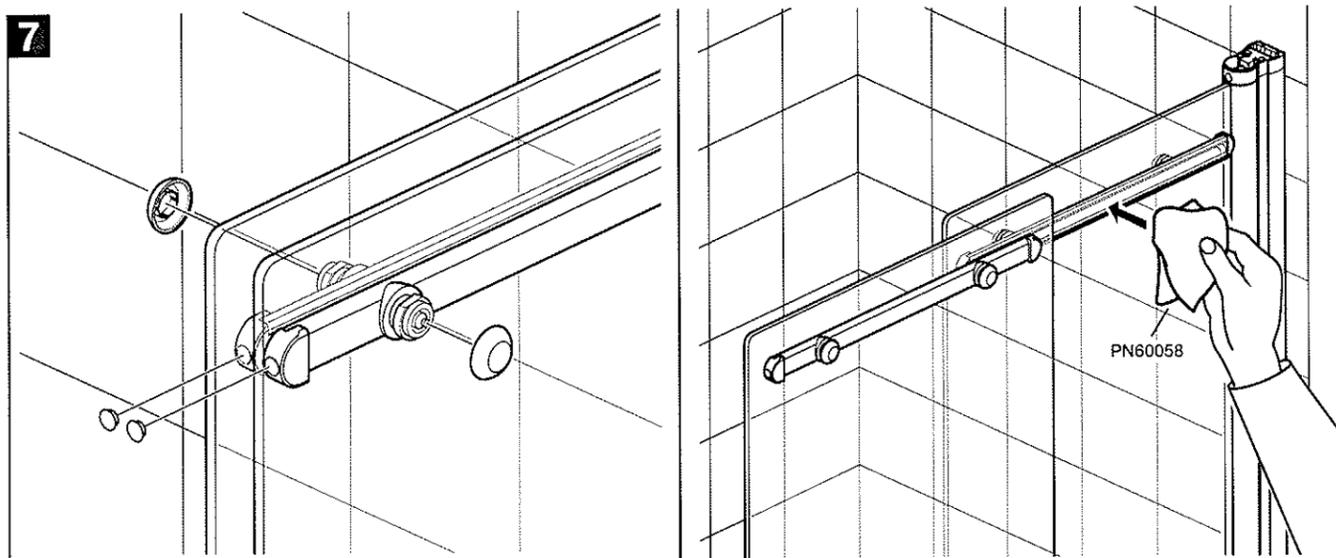
Apply silicone sealant to back of wall channel as shown. Fix the wall channel to the wall using the 32mm screws. Insert the bathscreen into the wall channel fully tightening the top and bottom screws.



Adjust the bathscreen by tightening or loosening the screws (top and bottom) so that the bottom seal gently brushes the bath rim evenly along its length. **IF THE SEAL IS TOO TIGHT ON THE BATH THE BATHSREEN MAY LEAK.** The bathscreen **MUST NOT** be adjusted out of the wall channel beyond the marked line (*). Push fit both screw caps in the **TOP** and **BOTTOM** positions.



Apply silicone sealant to the outside of the bathscreen where shown.
DO NOT apply silicone sealant to the inside face of the bathscreen.



Push fit all eight remaining screw caps into the end of each rail. Push fit all eight covers onto the side of the rails as shown.
 Lubricate the top and bottom screen slider tracks with the wipe provided.

CARE AND MAINTENANCE

IMPORTANT: You must not use the bath or shower for 24 hours after installation of the bathscreen.

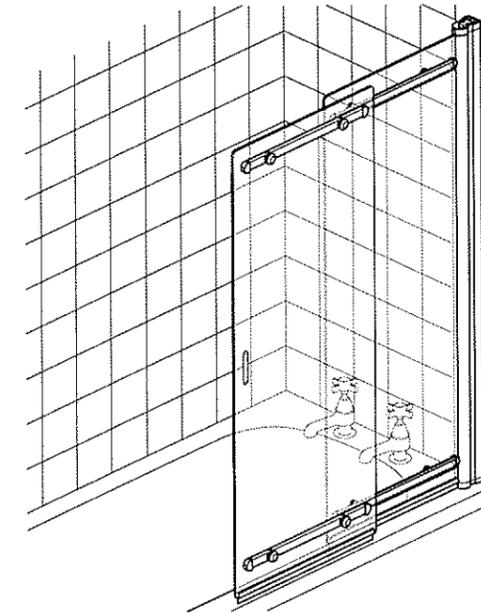
DO NOT use bleach, scouring powders, solvents or other aggressive cleaning agents. To clean, use warm soapy water and a clean cloth and rinse off.

When folding the bathscreen after use, fold it into the bath to prevent drips.

DO NOT apply weight or pressure to the bathscreen. **DO NOT** swing the bathscreen violently

Periodically check all fixings and fittings and tighten if necessary.

FRAMELESS SLIDING BATHSCREEN



*Please read these instructions carefully and keep for future reference.
 Incorrect fitting will invalidate the guarantee.*

SAFETY

- Handle with care. Sharp impacts can damage the metal frame and could shatter the glass.
- Make sure there are no hidden pipes or cables hidden in the wall where you intend to drill.
- Wear safety goggles, shoes and appropriate clothing.

BEFORE INSTALLATION

- Two people are needed to carry out parts of the procedure, lift with care.
- Check the bath is perfectly level and does not sag or bow when you stand or sit in it.
- The bathscreen must only be fitted on water proof walls i.e. tiled walls which are sealed with waterproof grout.
- Check that the bath has a flat top edge with no protruding handles, which could interfere with the movement of the bathscreen.
- Always check very carefully that components are vertical.

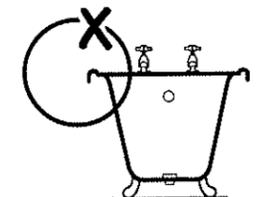
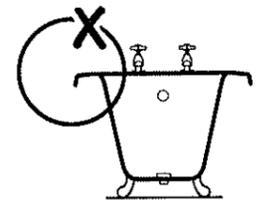
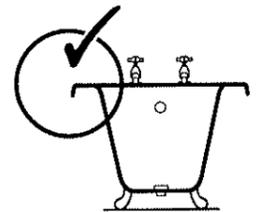
Equipment needed:

Drill, 6.5mm Masonry Bit, 4.5mm Drill Bit, Crosshead Screwdriver, Spirit Level, Pencil, Silicone Sealant, Tape Measure.

Note: The screws and wall plugs supplied are for masonry walls. For lightweight walls i.e. stud partition, plasterboard etc, use the correct type of fixings.

IMPORTANT

Bathscreens should not be fitted to drop-fronted baths or baths with lipped fronts (see diagrams below).



A PRODUCT OF THE CORAM GROUP OF COMPANIES

Coram Showers Ltd, Stanmore Industrial Estate, Bridgnorth, Shropshire WV15 5HP, UK • Tel: 01746 766466 • Fax: 01746 764140
 www.coram.co.uk

CUSTOMER CARELINE 01746 713410